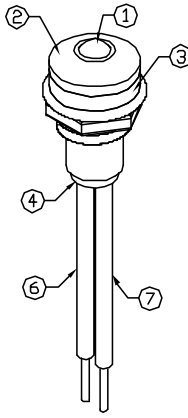
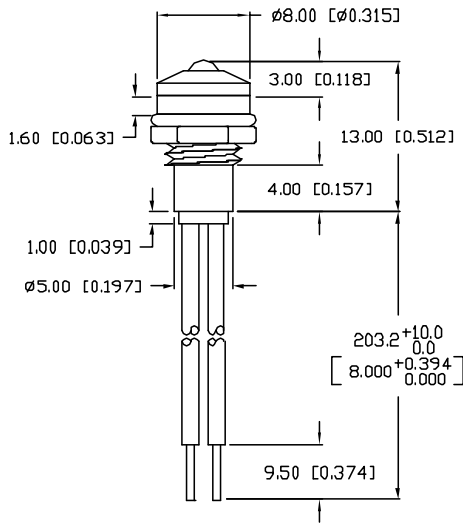


UNCONTROLLED DOCUMENT

|                    |                                     |          |
|--------------------|-------------------------------------|----------|
| PART NUMBER        |                                     | REV.     |
| SSI-LXR3612GD200WR |                                     | A        |
| REV.               | E.C.N. NUMBER AND REVISION COMMENTS | DATE     |
| A                  | E.C.N. #10BRDR. & REDRAWN IN 3D.    | 10.30.01 |



ELECTRO-OPTICAL CHARACTERISTICS  $T_A=25^{\circ}\text{C}$   $I_f=20\text{mA}$

| PARAMETER          | MIN            | TYP | MAX | UNITS    | TEST COND            |
|--------------------|----------------|-----|-----|----------|----------------------|
| PEAK WAVELENGTH    |                | 565 |     | nm       |                      |
| FORWARD VOLTAGE    |                | 2.2 | 2.6 | $V_f$    |                      |
| REVERSE VOLTAGE    | 5.0            |     |     | $V_r$    | $I_f=100\mu\text{A}$ |
| AXIAL INTENSITY    |                | 30  |     | mcad     | $I_f=20\text{mA}$    |
| VIEWING ANGLE      |                | 60  |     | 2x theta |                      |
| EMITTED COLOR:     | GREEN          |     |     |          |                      |
| EPOXY LENS FINISH: | GREEN DIFFUSED |     |     |          |                      |

LIMITS OF SAFE OPERATION AT 25°C

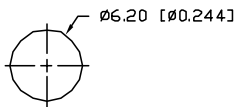
| PARAMETER                | MAX        | UNITS |
|--------------------------|------------|-------|
| PEAK FORWARD CURRENT*    | 150        | mA    |
| STEADY CURRENT           | 25         | mA    |
| POWER DISSIPATION        | 105        | mW    |
| DERATE FROM 25°C         | -1.6       | mW/°C |
| OPERATING, STORAGE TEMP. | -40 TO +85 | °C    |

\*  $t < 10\mu\text{s}$

NOTES:

- SSL-LX3064GD, GREEN LED. TRIM LEADS TO 5mm.
- SSI-LXR3612, CHROME HOUSING.
- LXP-WA-3612, RUBBER GASKET.
- SSH-LXH1612BSG, BUSHING. INSERT AND CRIMP.
- ASSEMBLE IN ORDER: LED, SILICON, THEN BUSHING.
- ANODE LEAD: LXP-WST26RDT0C, 26 AWG., STRANDED, RED INSULATION. CUT 210mm LONG, STRIP ENDS 2mm & 9.5mm.
- CATHODE LEAD: LXP-WST26BLT0C, 26 AWG., STRANDED, BLACK INSULATION. CUT 210mm LONG, STRIP ENDS 2mm & 9.5mm.
- WATER RESISTANT PER NEMA STANDARD 250 SECTION 6.7.

PANEL CUTOUT



\*UNLESS OTHERWISE SPECIFIED TOLERANCES PER DECIMAL PRECISION ARE: X=±1 (±0.039), XX=±0.5 (±0.020), XXX=±0.25 (±0.010), XXXX=±0.127 (±0.005). LEAD SIZE=±0.05 (±0.002), LEAD LENGTH=±0.75 (±0.030). MIN= +DECIMAL PRECISION -0.00, MAX.= +0.00 -DECIMAL PRECISION

UNCONTROLLED DOCUMENT

|  |                                   |   |  |  |
|--|-----------------------------------|---|--|--|
| REV.<br>A  | PART NUMBER<br>SSI-LXR3612GD200WR | <p><b>CONFIDENTIAL INFORMATION</b></p> <p>THE INFORMATION CONTAINED IN THIS DOCUMENT IS THE PROPERTY OF LUMEX INC. EXCEPT AS SPECIFICALLY AUTHORIZED IN WRITING BY LUMEX INC., THE HOLDER OF THIS DOCUMENT SHALL KEEP ALL INFORMATION CONTAINED HEREIN CONFIDENTIAL AND SHALL PROTECT SAME IN WHOLE OR IN PART FROM DISCLOSURE AND DISSEMINATION TO ALL THIRD PARTIES.</p> <p><b>RELIABILITY NOTE</b></p> <p>OUR MANY YEARS OF EXPERIENCE DATA ACCUMULATION INDICATE THAT SOLDER HEAT IS A MAJOR CAUSE OF EARLY AND FUTURE FAILURE. PLEASE PAY ATTENTION TO YOUR SOLDERING PROCESS.</p> | <p>290 E. HELEN ROAD<br/>PALATINE, IL 60067-6976<br/>PHONE: +1.847.359.2790<br/>US WEB: www.lumex.com<br/>TW WEB: www.lumex.com.tw</p> | <p>DRAWN BY: BC</p> <p>CHECKED BY:</p> <p>APPROVED BY:</p> <p>DATE: 11.12.98<br/>PAGE: 1 OF 1<br/>SCALE: N/A</p> |
| T-3mm (T-1) 565nm GREEN LED PANEL INDICATOR, GREEN DIFFUSED, 8" WIRE LEADS, WATER RESISTANT. |                                   |   |  |  |