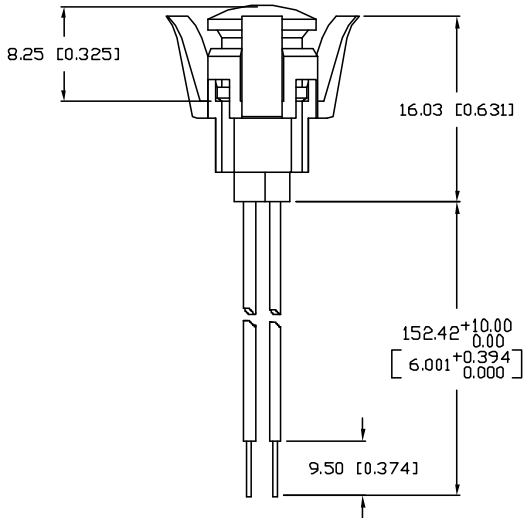
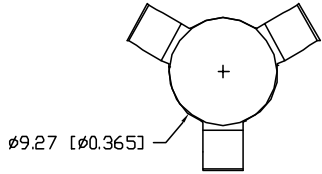
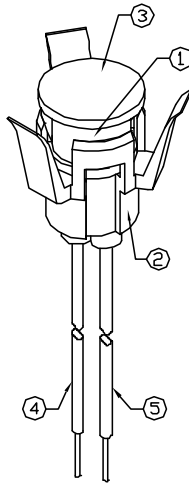


UNCONTROLLED DOCUMENT



PANEL HOLE SIZE: 7.93 [0.312] TO 8.05 [0.317].  
 PANEL THICKNESS: 0.51 [0.020 TO 2.03 [0.080].



NOTES:

1. SSL-LX509F3ID LED, NOT SHOWN.
2. SSH-LXH690 HOUSING, BLACK.
3. SSN-LX690L2-C LENS, CLEAR.
4. RED ANODE LEAD: LXP-WST22RDTQC, 22AWG STRANDED, RED INSULATION, CUT 160mm LONG, STRIP 4mm & 9.5mm.
5. BLACK CATHODE LEAD: LXP-WST22BLTQC, 22AWG STRANDED, BLACK INSULATION, CUT 160mm LONG, STRIP 4mm & 9.5mm.
6. WHEN ASSEMBLED, MAX RIB DIAMETER AT MAX PANEL THICKNESS: 24mm [0.94].

PART NUMBER		REV.
SSI-LXH692ID-150C		B
REV.	E.C.N. NUMBER AND REVISION COMMENTS	DATE
A	E.C.N. #10BRDR. & REDRAWN.	8.14.01
B	E.C.N. #11415.	5.9.07

ELECTRO-OPTICAL CHARACTERISTICS $T_A=25^\circ\text{C}$ $I_f=20\text{mA}$					
PARAMETER	MIN	TYP	MAX	UNITS	TEST COND
PEAK WAVELENGTH		635		nm	
FORWARD VOLTAGE		2.0	2.5	$V_f$	
REVERSE VOLTAGE	5.0			$V_r$	$I_f=100\mu\text{A}$
AXIAL INTENSITY		10		med	$I_f=20\text{mA}$
VIEWING ANGLE		60		2x theta	
EMITTED COLOR:	RED				
EPOXY LENS FINISH:	RED DIFFUSED				

LIMITS OF SAFE OPERATION AT 25°C

PARAMETER	MAX	UNITS
PEAK FORWARD CURRENT*	150	mA
STEADY CURRENT	30	mA
POWER DISSIPATION	105	mW
DERATE FROM 25°C	-1.2	mW/°C
OPERATING, STORAGE TEMP.	-40 TO +85	°C
SOLDERING TEMP.	+260	°C
SOLDERING TEMP.	2.0mm FROM BODY	3 SEC. MAX

\*  $t < 10\mu\text{s}$

\*UNLESS OTHERWISE SPECIFIED TOLERANCES PER DECIMAL PRECISION ARE: X=±1 (±0.039), XX=±0.5 (±0.020), XXX=±0.25 (±0.010), XXXX=±0.127 (±0.005). LEAD SIZE=±0.05 (±0.002), LEAD LENGTH=±0.75 (±0.030). MIN= +DECIMAL PRECISION -0.00, MAX.= +0.00 -DECIMAL PRECISION

REV.	PART NUMBER
B	SSI-LXH692ID-150C
T-5mm (T-1 3/4) TULIP INDICATOR WITH CLEAR, FLAT LENS, 635nm HIGH INTENSITY RED LED, RED DIFFUSED LENS.	

**CONFIDENTIAL INFORMATION**  
 THE INFORMATION CONTAINED IN THIS DOCUMENT IS THE PROPERTY OF LUMEX INC. EXCEPT AS SPECIFICALLY AUTHORIZED IN WRITING BY LUMEX INC., THE HOLDER OF THIS DOCUMENT SHALL KEEP ALL INFORMATION CONTAINED HEREIN CONFIDENTIAL AND SHALL PROTECT SAME IN WHOLE OR IN PART FROM DISCLOSURE AND DISSEMINATION TO ALL THIRD PARTIES.

**RELIABILITY NOTE**  
 OUR MANY YEARS OF EXPERIENCE DATA ACCUMULATION INDICATE THAT SOLDER HEAT IS A MAJOR CAUSE OF EARLY AND FUTURE FAILURE. PLEASE PAY ATTENTION TO YOUR SOLDERING PROCESS.



290 E. HELEN ROAD  
 PALATINE, IL 60067-6976  
 PHONE: +1.847.359.2790  
 US WEB: www.lumex.com  
 TW WEB: www.lumex.com.tw

DRAWN BY:	CHECKED BY:	APPROVED BY:	DATE:
JC			5.13.96
			PAGE: 1 OF 1
			SCALE: N/A



UNCONTROLLED DOCUMENT