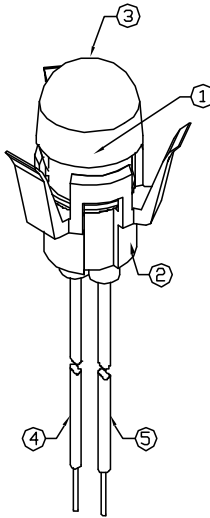
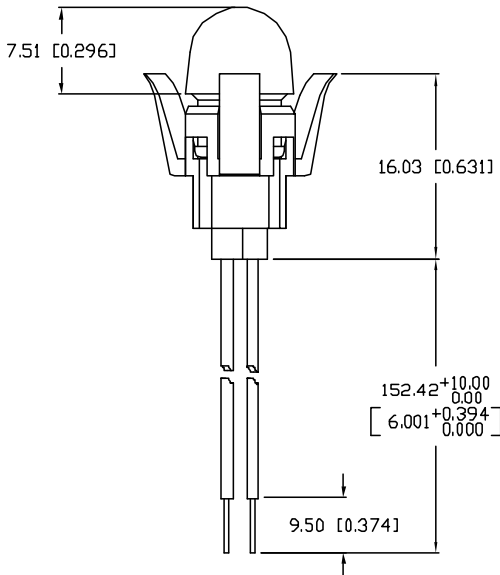
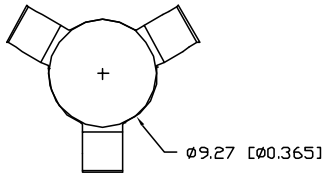


UNCONTROLLED DOCUMENT



NOTES:

1. SSL-LX509F3YD LED, NOT SHOWN.
2. SSH-LXH690 HOUSING, BLACK.
3. SSN-LX690L1-C LENS, CLEAR.
4. RED ANODE LEAD: LXP-WST22RDT0C, 22AWG STRANDED, RED INSULATION, CUT 160mm LONG, STRIP 4mm & 9.5mm.
5. BLACK CATHODE LEAD: LXP-WST22BLT0C, 22AWG STRANDED, BLACK INSULATION, CUT 160mm LONG, STRIP 4mm & 9.5mm.
6. WHEN ASSEMBLED, MAX RIB DIAMETER AT MAX PANEL THICKNESS: 24mm [0.94].

PART NUMBER		REV.
SSI-LXH691YD-150C		B
REV.	E.C.N. NUMBER AND REVISION COMMENTS	DATE
A	E.C.N. #10BRDR. & REDRAWN.	8.13.01
B	E.C.N. #11415.	5.9.07

ELECTRO-OPTICAL CHARACTERISTICS T _A =25°C I _f =20mA					
PARAMETER	MIN	TYP	MAX	UNITS	TEST COND
PEAK WAVELENGTH		585		nm	
FORWARD VOLTAGE		2.1	2.8	V _f	
REVERSE VOLTAGE	5.0			V _r	I _f =100μA
AXIAL INTENSITY		10		mcd	I _f =20mA
VIEWING ANGLE		60		2x theta	
EMITTED COLOR:	YELLOW				
EPOXY LENS FINISH:	YELLOW DIFFUSED				

LIMITS OF SAFE OPERATION AT 25°C

PARAMETER	MAX	UNITS
PEAK FORWARD CURRENT*	150	mA
STEADY CURRENT	30	mA
POWER DISSIPATION	105	mW
DERATE FROM 25°C	-1.2	mW/°C
OPERATING, STORAGE TEMP.	-40 TO +85	°C
SOLDERING TEMP.	+260	°C
2.0mm FROM BODY		3 SEC. MAX

* t < 10μs

*UNLESS OTHERWISE SPECIFIED TOLERANCES PER DECIMAL PRECISION ARE: X=±1 (±0.039), XX=±0.5 (±0.020), XXX=±0.25 (±0.010), XXXX=±0.127 (±0.005). LEAD SIZE=±0.05 (±0.002), LEAD LENGTH=±0.75 (±0.030). MIN= +DECIMAL PRECISION MAX= +0.00 -DECIMAL PRECISION

UNCONTROLLED DOCUMENT

REV. B	PART NUMBER SSI-LXH691YD-150C	<p>CONFIDENTIAL INFORMATION</p> <p>THE INFORMATION CONTAINED IN THIS DOCUMENT IS THE PROPERTY OF LUMEX INC. EXCEPT AS SPECIFICALLY AUTHORIZED IN WRITING BY LUMEX INC., THE HOLDER OF THIS DOCUMENT SHALL KEEP ALL INFORMATION CONTAINED HEREIN CONFIDENTIAL AND SHALL PROTECT SAME IN WHOLE OR IN PART FROM DISCLOSURE AND DISSEMINATION TO ALL THIRD PARTIES.</p> <p>RELIABILITY NOTE</p> <p>OUR MANY YEARS OF EXPERIENCE DATA ACCUMULATION INDICATE THAT SOLDER HEAT IS A MAJOR CAUSE OF EARLY AND FUTURE FAILURE. PLEASE PAY ATTENTION TO YOUR SOLDERING PROCESS.</p>	<p>290 E. HELEN ROAD PALATINE, IL 60067-6976 PHONE: +1.847.359.2790 US WEB: www.lumex.com TW WEB: www.lumex.com.tw</p>	<p>DRAWN BY: JC</p> <p>CHECKED BY:</p> <p>APPROVED BY:</p> <p>DATE: 2.2.96 PAGE: 1 OF 1 SCALE: N/A</p>
-----------	----------------------------------	---	--	--

T-5 (T-1 3/4) TULIP INDICATOR WITH SNAP MOUNT LENS,
585nm YELLOW LED, YELLOW DIFFUSED LENS.

