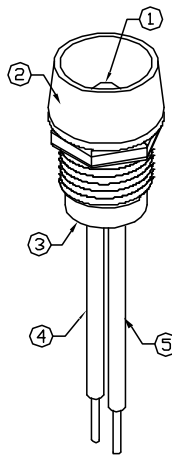
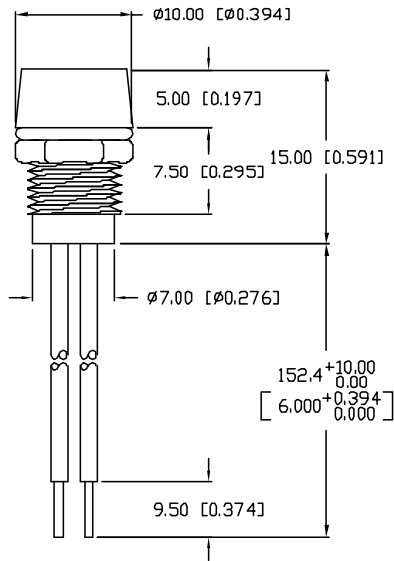
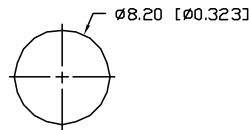


UNCONTROLLED DOCUMENT



PANEL CUTOUT



NOTES:

- 1. SSL-LX5063SRD, RED LED. TRIM LEADS TO 5mm.
- 2. SSI-LXR4815-B, BLACK ANODIZED HOUSING.
- 3. SSH-LXH4815BSC, BLACK NYLON BUSHING. (NOT SEEN)
- 4. ANODE LEAD: LXP-WST24RDT0C, RED INSULATION, 160mm LONG, STRIP 2mm & 9.5mm.
- 5. CATHODE LEAD: LXP-WST24BLT0C, BLACK INSULATION, 160mm LONG, STRIP 2mm & 9.5mm.

PART NUMBER  
SSI-LXR4815SRD150B

REV.  
D

REV.	E.C.N. NUMBER AND REVISION COMMENTS	DATE
A	REDRAWN, UPDATED SAFE OPER. SPECS.	10.27.94
B	CORRECTED WIRE STRIP LENGTH.	11.17.94
C	E.C.N. #10674.	10.30.00
D	E.C.N. #10BRDR. & REDRAWN IN 3D.	1.10.02

ELECTRO-OPTICAL CHARACTERISTICS  $T_A=25^\circ\text{C}$   $I_f=20\text{mA}$

PARAMETER	MIN	TYP	MAX	UNITS	TEST COND
PEAK WAVELENGTH		660		nm	
FORWARD VOLTAGE		1.8	2.2	$V_f$	
REVERSE VOLTAGE	4.0			$V_r$	$I_f=100\mu\text{A}$
AXIAL INTENSITY		300		mcad	$I_f=20\text{mA}$
VIEWING ANGLE		60		$2x$ theta	
EMITTED COLOR:	RED				
EPOXY LENS FINISH:	RED DIFFUSED				

LIMITS OF SAFE OPERATION AT 25°C

PARAMETER	MAX	UNITS
PEAK FORWARD CURRENT*	150	mA
STEADY CURRENT	30	mA
POWER DISSIPATION	100	mW
DERATE FROM 25°C	-1.2	mW/°C
OPERATING, STORAGE TEMP.	-40 TO +85	°C

\*  $t < 10\mu\text{s}$

\*UNLESS OTHERWISE SPECIFIED TOLERANCES PER DECIMAL PRECISION ARE: X=±1 (±0.039), XX=±0.5 (±0.020), XXX=±0.25 (±0.010), XXXX=±0.127 (±0.005). LEAD SIZE=±0.05 (±0.002), LEAD LENGTH=±0.75 (±0.030). MIN= +DECIMAL PRECISION -0.00, MAX.= +0.00 -DECIMAL PRECISION

UNCONTROLLED DOCUMENT

REV. D	PART NUMBER SSI-LXR4815SRD150B	<p><b>CONFIDENTIAL INFORMATION</b></p> <p>THE INFORMATION CONTAINED IN THIS DOCUMENT IS THE PROPERTY OF LUMEX INC. EXCEPT AS SPECIFICALLY AUTHORIZED IN WRITING BY LUMEX INC., THE HOLDER OF THIS DOCUMENT SHALL KEEP ALL INFORMATION CONTAINED HEREIN CONFIDENTIAL AND SHALL PROTECT SAME IN WHOLE OR IN PART FROM DISCLOSURE AND DISSEMINATION TO ALL THIRD PARTIES.</p> <p><b>RELIABILITY NOTE</b></p> <p>OUR MANY YEARS OF EXPERIENCE DATA ACCUMULATION INDICATE THAT SOLDER HEAT IS A MAJOR CAUSE OF EARLY AND FUTURE FAILURE. PLEASE PAY ATTENTION TO YOUR SOLDERING PROCESS.</p>	<p>290 E. HELEN ROAD PALATINE, IL 60067-6976 PHONE: +1.847.359.2790 US WEB: www.lumex.com TW WEB: www.lumex.com.tw</p>	<p>DRAWN BY: BC</p> <p>CHECKED BY:</p> <p>APPROVED BY:</p> <p>DATE: 6.15.94 PAGE: 1 OF 1 SCALE: N/A</p>
-----------	-----------------------------------	---	--	---

T-5mm 660nm SUPER RED LED PANEL INDICATOR LED,  
RED DIFFUSED LENS, WITH 6" WIRE LEADS.