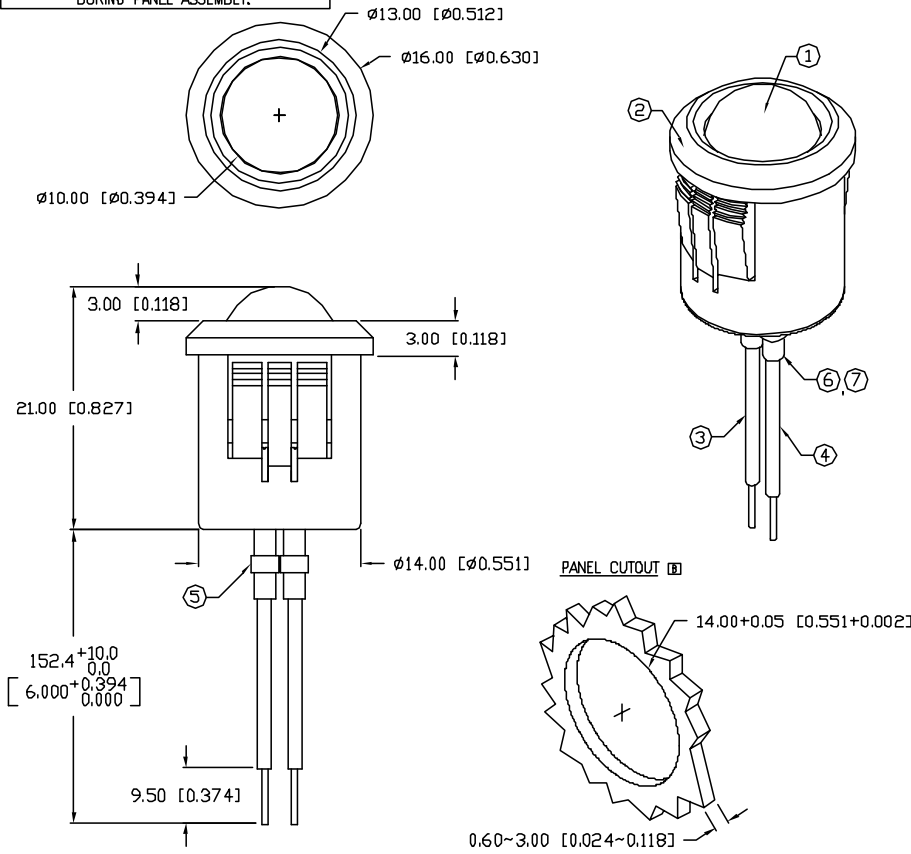


UNCONTROLLED DOCUMENT

CAUTION: PRESSURE SENSITIVE ASSEMBLY
AVOID APPLYING PRESSURE TO LED
DURING PANEL ASSEMBLY.



| | | |
|--------------------|-------------------------------------|----------|
| PART NUMBER | | REV. |
| SSI-LXH1090BID320A | | D |
| REV. | E.C.N. NUMBER AND REVISION COMMENTS | DATE |
| A | E.C.N. #10423. | 3.24.98 |
| B | E.C.N. #10539. | 9.24.99 |
| C | E.C.N. #10BRDR. & REDRAWN IN 3D. | 1.5.02 |
| D | E.C.N. #10912. | 10.18.02 |

ELECTRO-OPTICAL CHARACTERISTICS $T_A=25^\circ\text{C}$

| PARAMETER | MIN | TYP | MAX | UNITS | TEST COND |
|---------------------|--------------|------|------|----------|----------------------------|
| PEAK WAVELENGTH | | 635 | | nm | |
| FORWARD VOLTAGE | 3.0 | 9-12 | 13.0 | V_f | |
| BLINKING FREQUENCY: | | 1.5 | | Hz | $V_f=9.0, I_f=70\text{mA}$ |
| | | 2.5 | | Hz | $V_f=3.0, I_f=6\text{mA}$ |
| AXIAL INTENSITY | | 50 | | mcd | $V_f=9.0$ |
| VIEWING ANGLE | | 60 | | 2x theta | |
| EMITTED COLOR: | RED | | | | |
| EPOXY LENS FINISH: | RED DIFFUSED | | | | |

LIMITS OF SAFE OPERATION AT 25°C

| PARAMETER | MAX | UNITS |
|--------------------------|------------|------------|
| PEAK FORWARD CURRENT* | 70 | mA |
| STEADY CURRENT | 38-56 | mA |
| POWER DISSIPATION | 200 | mW |
| DERATE FROM 25°C | -1.2 | mW/°C |
| OPERATING, STORAGE TEMP. | -40 TO +85 | °C |
| SOLDERING TEMP. | +260 | °C |
| 2.0mm FROM BODY | | 3 SEC. MAX |

* $t < 10\mu\text{s}$

- NOTES:
- SSL-LX100133BID LED.
 - SSH-RTF1090 HOLDER.
 - ANODE LEAD: LXP-WST24RDT0C, 24 AWG STRANDED, RED INSULATION, CUT 144mm LONG, STRIP 3mm & 9.5mm.
 - CATHODE LEAD: LXP-WST24BLT0C, 24 AWG STRANDED, BLACK INSULATION, CUT 144mm LONG, STRIP 3mm & 9.5mm.
 - CRIMP WIRE LEADS TO LED LEADS.
 - 2 PIECES; LXP-HEATSHRINK-2 1/16" X 32mm BLACK HEATSHRINK TUBING.
 - 2 PIECES; LXP-HEATSHRINK-3 3/32" X 32mm BLACK HEATSHRINK TUBING.
 - UV EPOXY TO RETAIN LED IN HOLDER.

UNCONTROLLED DOCUMENT

| | |
|---|--------------------|
| REV. | PART NUMBER |
| D | SSI-LXH1090BID320A |
| T-10mm 635nm BLINKING RED LED PANEL INDICATOR, RED DIFFUSED LENS, 6" WIRE LEADS, DOUBLE HEAT SHRINK. | |

CONFIDENTIAL INFORMATION
THE INFORMATION CONTAINED IN THIS DOCUMENT IS THE PROPERTY OF LUMEX INC. EXCEPT AS SPECIFICALLY AUTHORIZED IN WRITING BY LUMEX INC., THE HOLDER OF THIS DOCUMENT SHALL KEEP ALL INFORMATION CONTAINED HEREIN CONFIDENTIAL AND SHALL PROTECT SAME IN WHOLE OR IN PART FROM DISCLOSURE AND DISSEMINATION TO ALL THIRD PARTIES.

RELIABILITY NOTE
OUR MANY YEARS OF EXPERIENCE DATA ACCUMULATION INDICATE THAT SOLDER HEAT IS A MAJOR CAUSE OF EARLY AND FUTURE FAILURE. PLEASE PAY ATTENTION TO YOUR SOLDERING PROCESS.

| | | | |
|---|-------------|---|--------------|
|  | | 290 E. HELEN ROAD PALATINE, IL 60067-6976 PHONE: +1.847.359.2790 US WEB: www.lumex.com TW WEB: www.lumex.com.tw | |
| DRAWN BY: | CHECKED BY: | APPROVED BY: | DATE: |
| BC | | | 10.9.97 |
| | | | PAGE: 1 OF 1 |
| | | | SCALE: N/A |