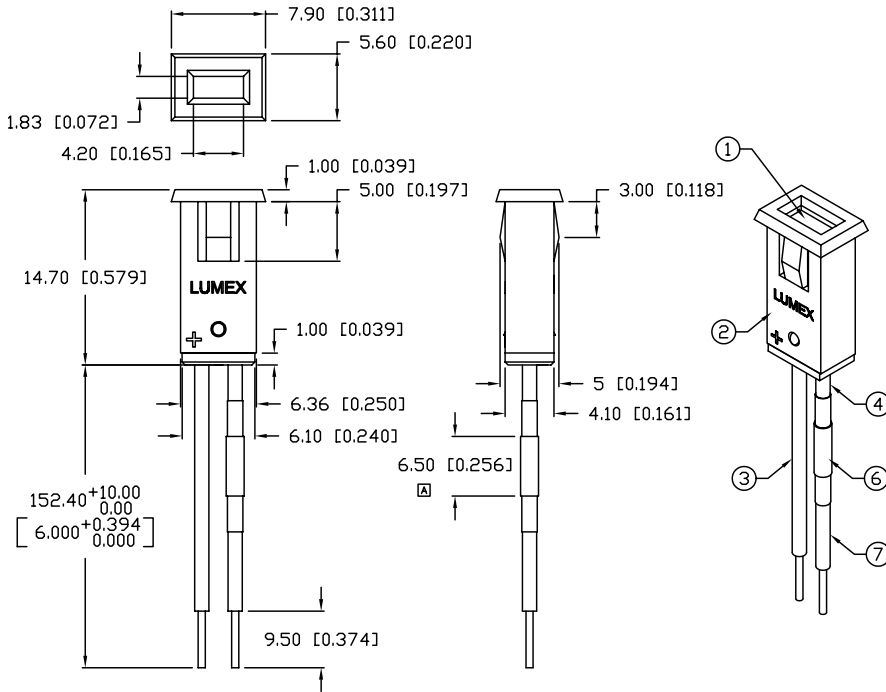


UNCONTROLLED DOCUMENT



NOTES:

1. SSL-LX2573GD, GREEN LED.  
TRIM LEADS TO 3~4mm.
2. 2-PIECE HOUSING: SSH-LXMP059-HSG  
SSH-LXMP059-BSG2.
3. LXP-WST24PRTOC, PURPLE INSULATED LEAD, 24 AWG., CUT 155mm, STRIP 3mm & 9.5mm.
4. LXP-WST24WHTOC, WHITE INSULATED LEAD, 24 AWG., CUT 45mm, STRIP 3mm BOTH SIDES.
5. LXP-RES1000 1/4W (NOT SHOWN).
6. INSULATE RESISTOR AND CRIMPS WITH HEATSHRINK (1/8" x 1" LONG.)
7. LXP-WST24WHTOC, WHITE INSULATED LEAD, 24 AWG., CUT 90mm, STRIP 3mm & 9.5mm.

\*UNLESS OTHERWISE SPECIFIED TOLERANCES PER DECIMAL PRECISION ARE: X=±1 (±0.039), X.X=±0.5 (±0.020), X.XX=±0.25 (±0.010), X.XXX=±0.127 (±0.005). LEAD SIZE=±0.05 (±0.002), LEAD LENGTH=±0.75 (±0.030). MIN= +DECIMAL PRECISION MAX= +0.00 -DECIMAL PRECISION

PART NUMBER  
SSI-LXMP059GDQ9222

REV.  
A

REV.	E.C.N. NUMBER AND REVISION COMMENTS	DATE
A	E.C.N. #11108.	3.10.04

ELECTRO-OPTICAL CHARACTERISTICS $T_A=25^{\circ}\text{C}$ $V_f=12\text{V}$					
PARAMETER	MIN	TYP	MAX	UNITS	TEST COND
PEAK WAVELENGTH		565		nm	
FORWARD VOLTAGE		12.0	14.0	$V_f$	
REVERSE VOLTAGE	5.0			$V_r$	$I_f=100\mu\text{A}$
AXIAL INTENSITY		10		mcd	$V_f=12\text{V}$
VIEWING ANGLE		80		2x theta	
EMITTED COLOR:	GREEN				
EPOXY LENS FINISH:	GREEN DIFFUSED				

LIMITS OF SAFE OPERATION AT 25°C		
PARAMETER	MAX	UNITS
PEAK FORWARD VOLTAGE	14	V
STEADY CURRENT	10	mA
POWER DISSIPATION	310	mW
DERATE FROM 25°C	-1.2	mW/°C
OPERATING, STORAGE TEMP.	-40 TO +85	°C

UNCONTROLLED DOCUMENT

REV. A	PART NUMBER SSI-LXMP059GDQ9222
RECTANGULAR PANEL MOUNT INDICATOR, 565nm GREEN LED, GREEN DIFFUSED LENS, 6" WIRE LEADS, 12 VOLTS.	

**CONFIDENTIAL INFORMATION**  
THE INFORMATION CONTAINED IN THIS DOCUMENT IS THE PROPERTY OF LUMEX INC. EXCEPT AS SPECIFICALLY AUTHORIZED IN WRITING BY LUMEX INC., THE HOLDER OF THIS DOCUMENT SHALL KEEP ALL INFORMATION CONTAINED HEREIN CONFIDENTIAL AND SHALL PROTECT SAME IN WHOLE OR IN PART FROM DISCLOSURE AND DISSEMINATION TO ALL THIRD PARTIES.

**RELIABILITY NOTE**  
OUR MANY YEARS OF EXPERIENCE DATA ACCUMULATION INDICATE THAT SOLDER HEAT IS A MAJOR CAUSE OF EARLY AND FUTURE FAILURE. PLEASE PAY ATTENTION TO YOUR SOLDERING PROCESS.

DRAWN BY: BS/BC

290 E. HELEN ROAD  
PALATINE, IL 60067-6976  
PHONE: +1.847.359.2790  
US WEB: www.lumex.com  
TW WEB: www.lumex.com.tw

CHECKED BY:

APPROVED BY:

DATE: 6.15.01  
PAGE: 1 OF 1  
SCALE: N/A