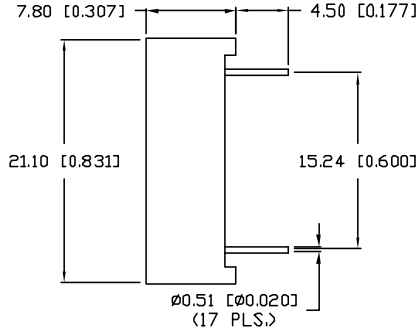
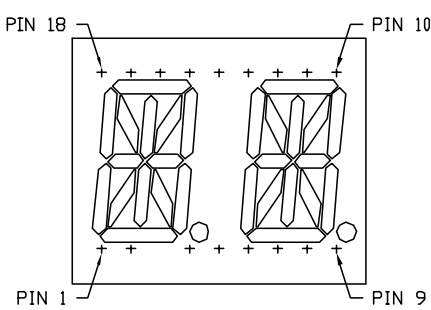
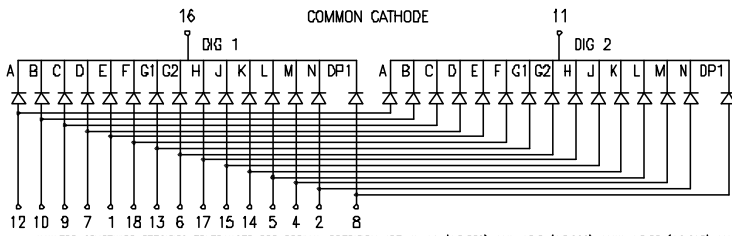
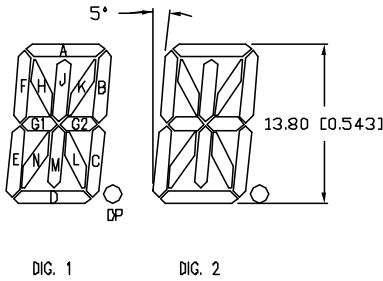
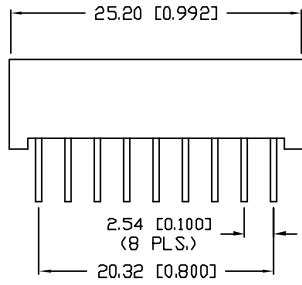


UNCONTROLLED DOCUMENT



CHARACTER DETAIL



*UNLESS OTHERWISE SPECIFIED TOLERANCES PER DECIMAL PRECISION ARE: X=±1 (±0.039), XX=±0.5 (±0.020), XXX=±0.25 (±0.010), XXXX=±0.127 (±0.005). LEAD SIZE=±0.05 (±0.002), LEAD LENGTH=±0.75 (±0.030), MIN=+DECIMAL PRECISION -0.00, MAX.=+0.00 -DECIMAL PRECISION

PART NUMBER		REV.
LDD-F5402RI-1727		A
REV.	E.C.N. NUMBER AND REVISION COMMENTS	DATE
A	E.C.N. #10658.	9.28.00

ELECTRO-OPTICAL CHARACTERISTICS T _A =25°C I _f =10mA				
PARAMETER	MIN	TYP	MAX	UNITS TEST COND
PEAK WAVELENGTH		565		nm
FORWARD VOLTAGE		2.2	2.6	V _f
REVERSE VOLTAGE	5.0			V _r I _f =100µA
AXIAL INTENSITY		*SEE BELOW		µcd I _f =10mA
EMITTED COLOR:	GREEN			
FACE COLOR:	GRAY			
SEGMENT COLOR:	MILKY WHITE DIFFUSED			

ⓐ * BIN CODE	H	K
RANGE (µcd)	3,501~	4,726~
	4,725	6,144

LIMITS OF SAFE OPERATION AT 25°C PER CHIP

PARAMETER	MAX	UNITS
PEAK FORWARD CURRENT*	150	mA
STEADY CURRENT	25	mA
POWER DISSIPATION	105	mW
DERATE FROM 25°C	-1.2	mW/°C
OPERATING, STORAGE TEMP.	-40 TO +85	°C
SOLDERING TEMP.	+260	°C
2.0mm FROM BODY		3 SEC. MAX

* t<10µs

ⓑ NOTES:

- PARTS TO BE BIN CODE 'H' AND 'K' ONLY.
- PARTS TO BE SUPPLIED IN TUBES WITH ONLY THE SAME BIN CODE PER TUBE.
- PARTS TO BE BOXED IN SAME BIN CODE PER BOX.

UNCONTROLLED DOCUMENT

REV.	PART NUMBER
A	LDD-F5402RI-1727
0.54" FOURTEEN SEGMENT, DUAL DIGIT DISPLAY, 565nm GREEN CHIPS, GRAY FACE WITH WHITE SEGMENTS, COMMON CATHODE, TIGHT DECIMAL PLACES.	

CONFIDENTIAL INFORMATION
 THE INFORMATION CONTAINED IN THIS DOCUMENT IS THE PROPERTY OF LUMEX INC. EXCEPT AS SPECIFICALLY AUTHORIZED IN WRITING BY LUMEX INC., THE HOLDER OF THIS DOCUMENT SHALL KEEP ALL INFORMATION CONTAINED HEREIN CONFIDENTIAL AND SHALL PROTECT SAME IN WHOLE OR IN PART FROM DISCLOSURE AND DISSEMINATION TO ALL THIRD PARTIES.

RELIABILITY NOTE
 OUR MANY YEARS OF EXPERIENCE DATA ACCUMULATION INDICATE THAT SOLDER HEAT IS A MAJOR CAUSE OF EARLY AND FUTURE FAILURE. PLEASE PAY ATTENTION TO YOUR SOLDERING PROCESS.

LUMEX INCORPORATED		290 E. HELLEN ROAD PALATINE, ILLINOIS 60067 PHONE: (847) 359-2790 WEB: http://www.lumex.com	
DRAWN BY:	CHECKED BY:	APPROVED BY:	DATE: 3.23.00
SS/BC			PAGE: 1 OF 1 SCALE: N/A