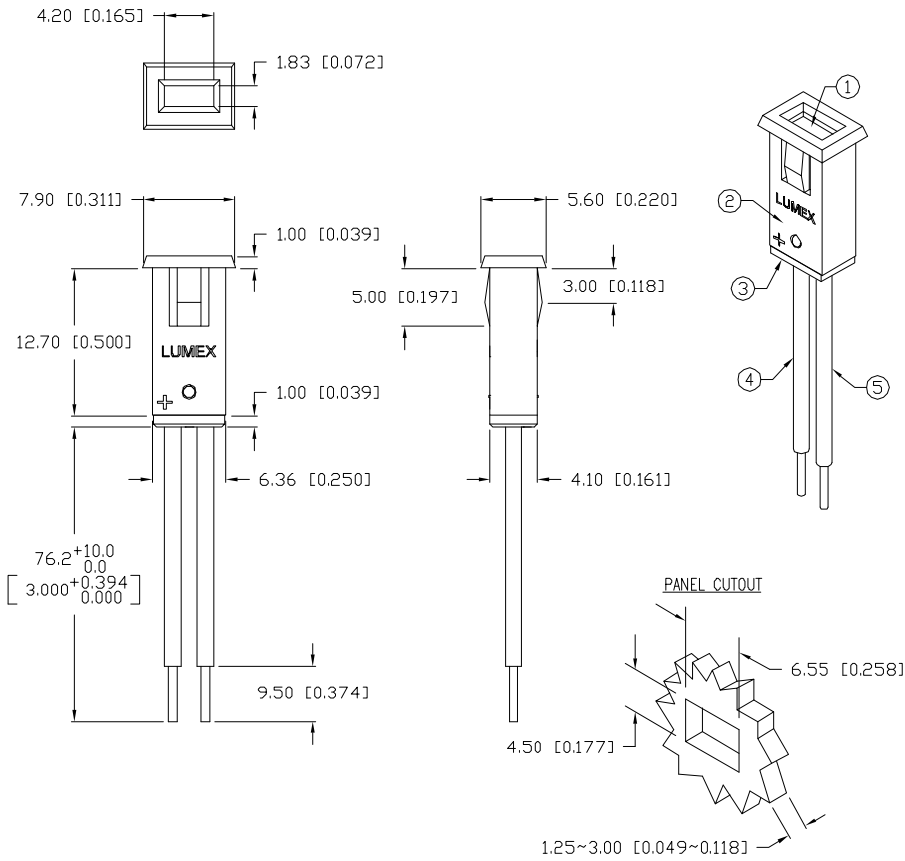


UNCONTROLLED DOCUMENT



*UNLESS OTHERWISE SPECIFIED TOLERANCES PER DECIMAL PRECISION ARE: X=±1 (±0.039), XX=±0.5 (±0.020), XXX=±0.25 (±0.010), XXXX=±0.127 (±0.005). LEAD SIZE=±0.05 (±0.002), LEAD LENGTH=±0.75 (±0.030). MIN= +DECIMAL PRECISION -0.00, MAX= +0.00 -DECIMAL PRECISION

PART NUMBER
SSI-LXMP059IGW-75

REV.
D

REV.	E.C.N. NUMBER AND REVISION COMMENTS	DATE
A	CHANGED DIM.	3.22.93
B	REDRAWN, UPDATED SPECS.	1.17.95
C	E.C.N. #10122.	7.8.96
D	E.C.N. #10BRDR. & REDRAWN IN 3D.	1.7.02

ELECTRO-OPTICAL CHARACTERISTICS T _A =25°C I _f =20mA				
PARAMETER	MIN	TYP	MAX	UNITS TEST COND
PEAK WAVELENGTH		635 (RED)		nm
		565 (GREEN)		nm
FORWARD VOLTAGE (R/G)		2.0/2.2	2.5/2.6	V _f I _f =100µA
REVERSE VOLTAGE	5.0			V _r I _f =20mA
AXIAL INTENSITY		10		mcd
VIEWING ANGLE		110		2x theta
EMITTED COLOR:	RED/GREEN			
EPOXY LENS FINISH:	MILKY WHITE DIFFUSED			

LIMITS OF SAFE OPERATION AT 25°C			
PARAMETER	COLORS	MAX	UNITS
PEAK FORWARD CURRENT*		150	mA
STEADY CURRENT	(R/G)	30/25	mA
POWER DISSIPATION		105	mW
DERATE FROM 25°C		-1.2	mW/°C
OPERATING, STORAGE TEMP.		-40 TO +85	°C

* t<10µS

NOTES:

- SSI-LX2573IGW, RED/GREEN LED. TRIM LEADS TO 3~4mm LONG.
- SSH-LXMP059-HSC, BLACK HOLDER.
- SSH-LXMP059-BSG2, BUSHING.
- RED ANODE: LXP-WST24RDT0C, RED INSULATED, 24 AWG., CUT 80mm, STRIP 3mm & 9.5mm.
- GREEN ANODE: LXP-WST24BLT0C, BLACK INSULATED, 24 AWG., CUT 80mm, STRIP 3mm & 9.5mm.
- CRIMP OR SOLDER LEAD WIRES TO LED AND ASSEMBLE INTO HOUSING.

UNCONTROLLED DOCUMENT

REV. PART NUMBER
D SSI-LXMP059IGW-75

RED/GREEN RECTANGULAR LED PANEL INDICATOR,
MILKY WHITE DIFFUSED LENS, 3" WIRE LEADS.

CONFIDENTIAL INFORMATION
THE INFORMATION CONTAINED IN THIS DOCUMENT IS THE PROPERTY OF LUMEX INC. EXCEPT AS SPECIFICALLY AUTHORIZED IN WRITING BY LUMEX INC., THE HOLDER OF THIS DOCUMENT SHALL KEEP ALL INFORMATION CONTAINED HEREIN CONFIDENTIAL AND SHALL PROTECT SAME IN WHOLE OR IN PART FROM DISCLOSURE AND DISSEMINATION TO ALL THIRD PARTIES.

RELIABILITY NOTE
OUR MANY YEARS OF EXPERIENCE DATA ACCUMULATION INDICATE THAT SOLDER HEAT IS A MAJOR CAUSE OF EARLY AND FUTURE FAILURE. PLEASE PAY ATTENTION TO YOUR SOLDERING PROCESS.



290 E. HELEN ROAD
PALATINE, IL 60067-6976
PHONE: +1.847.359.2790
US WEB: www.lumex.com
TW WEB: www.lumex.com.tw

DRAWN BY: BC CHECKED BY: APPROVED BY: DATE: 2.15.93
PAGE: 1 OF 1
SCALE: N/A