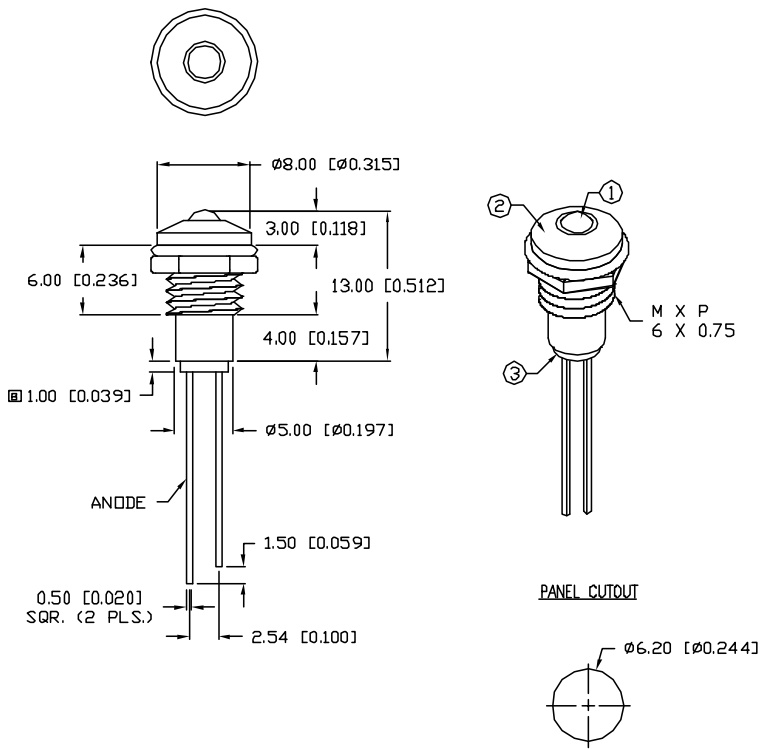


UNCONTROLLED DOCUMENT

PART NUMBER		REV.
SSI-LXR3612BID		D
REV.	E.C.N. NUMBER AND REVISION COMMENTS	DATE
A	CHG'D NOTE 1 TO INCLUDE LED PART #.	11.10.93
B	UPDATED SAFE OPER. SPECS AND NOTES.	9.19.94
C	ADDED BUSHING TO DRAWING.	5.16.95
D	E.C.N. #10BRDR. & REDRAWN IN 3D.	1.4.02



ELECTRO-OPTICAL CHARACTERISTICS  $T_A=25^\circ\text{C}$

PARAMETER	MIN	TYP	MAX	UNITS	TEST COND
PEAK WAVELENGTH		635		nm	
FORWARD VOLTAGE		3.0	14.0	V <sub>f</sub>	
BLINKING FREQUENCY:		1.5		Hz	V <sub>f</sub> =14.0, I <sub>f</sub> =70mA
		2.5		Hz	V <sub>f</sub> =3.0, I <sub>f</sub> =6mA
AXIAL INTENSITY		8		mcd	V <sub>f</sub> =9.0
VIEWING ANGLE		60		2x theta	
EMITTED COLOR:		RED			
EPOXY LENS FINISH:		RED DIFFUSED			

LIMITS OF SAFE OPERATION AT 25°C PER DIE

PARAMETER	MAX	UNITS
PEAK FORWARD CURRENT*	70	mA
FORWARD VOLTAGE	14	V
POWER DISSIPATION	280	mW
DERATE FROM 25°C	-1.6	mW/°C
OPERATING, STORAGE TEMP.	-40 TO +85	°C
SOLDERING TEMP.	+260	°C
2.0mm FROM BODY		3 SEC. MAX

\*  $t < 10\mu\text{s}$

NOTES:

- 1. SSL-LX3054BID, RED LED.
- 2. SSI-LXR3612, CHROME HOUSING.
- 3. SSH-LXH1612BSG, BUSHING, INSERT AND CRIMP.

UNCONTROLLED DOCUMENT

\*UNLESS OTHERWISE SPECIFIED TOLERANCES PER DECIMAL PRECISION ARE: X=±1 (±0.039), XX=±0.5 (±0.020), XXX=±0.25 (±0.010), XXXX=±0.127 (±0.005). LEAD SIZE=±0.05 (±0.002), LEAD LENGTH=±0.75 (±0.030). MIN=+DECIMAL PRECISION -0.00, MAX.=+0.00 -DECIMAL PRECISION

REV.	PART NUMBER
D	SSI-LXR3612BID
T-3mm (T-1) 635nm BLINKING RED LED PANEL INDICATOR, AMBER DIFFUSED LENS.	

**CONFIDENTIAL INFORMATION**  
 THE INFORMATION CONTAINED IN THIS DOCUMENT IS THE PROPERTY OF LUMEX INC. EXCEPT AS SPECIFICALLY AUTHORIZED IN WRITING BY LUMEX INC., THE HOLDER OF THIS DOCUMENT SHALL KEEP ALL INFORMATION CONTAINED HEREIN CONFIDENTIAL AND SHALL PROTECT SAME IN WHOLE OR IN PART FROM DISCLOSURE AND DISSEMINATION TO ALL THIRD PARTIES.

**RELIABILITY NOTE**  
 OUR MANY YEARS OF EXPERIENCE DATA ACCUMULATION INDICATE THAT SOLDER HEAT IS A MAJOR CAUSE OF EARLY AND FUTURE FAILURE. PLEASE PAY ATTENTION TO YOUR SOLDERING PROCESS.

290 E. HELEN ROAD  
 PALATINE, IL 60067-6976  
 PHONE: +1.847.359.2790  
 US WEB: www.lumex.com  
 TW WEB: www.lumex.com.tw

DRAWN BY:	CHECKED BY:	APPROVED BY:	DATE:
BC			10.27.93
			PAGE: 1 OF 1
			SCALE: N/A