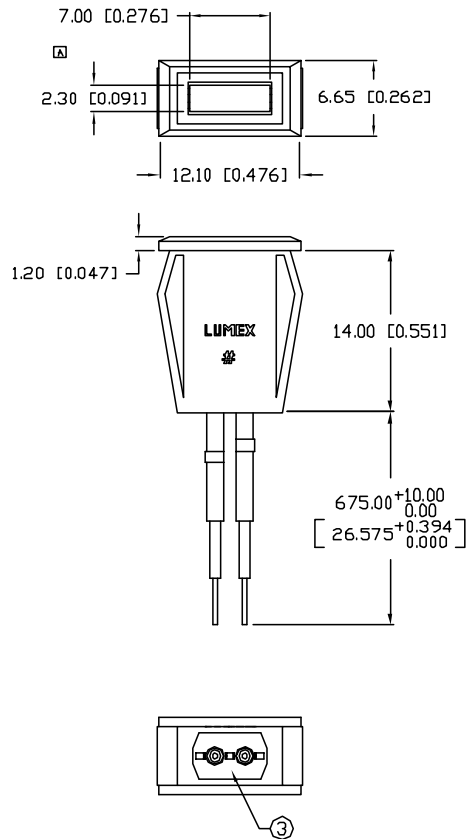


UNCONTROLLED DOCUMENT



NOTES:

1. SSH-LXH072 HOLDER, BLACK.
2. SSL-LX257B360 LED, GREEN.
3. SECURE LED TO HOLDER WITH UV ACRYLIC.
4. ANODE LEAD: RED 24 AWG, LXP-WST24RDT0C, CUT 660mm, STRIP 3mm & 9.5mm.
5. CATHODE LEAD: BLCK 24 AWG. LXP-WST24BLT0C, CUT 660mm, STRIP 3mm & 9.5mm.
6. HEAT SHRINK TUBING, LXP-HEATSHRINK-2, LENGTH 1.5" TYP. (2 PLS.)
7. PANEL CUT OUT SIZE: 5.3mm x 11.0mm.

PART NUMBER		REV.
SSI-LXH072GD-675		B
REV.	E.C.N. NUMBER AND REVISION COMMENTS	DATE
A	E.C.N. #10702.	1.10.01
B	E.C.N. #10807.	1.1.2.01

ELECTRO-OPTICAL CHARACTERISTICS  $T_A=25^\circ\text{C}$   $I_f=20\text{mA}$

PARAMETER	MIN	TYP	MAX	UNITS	TEST COND
PEAK WAVELENGTH		565		nm	
FORWARD VOLTAGE		2.2	2.6	$V_f$	
REVERSE VOLTAGE	5.0			$V_r$	$I_f=100\mu\text{A}$
AXIAL INTENSITY		9		mcd	$I_f=20\text{mA}$
VIEWING ANGLE		110		$2x$ theta	
EMITTED COLOR:	GREEN				
EPOXY LENS FINISH:	GREEN DIFFUSED				


LIMITS OF SAFE OPERATION AT 25°C

PARAMETER	MAX	UNITS
PEAK FORWARD CURRENT*	150	mA
STEADY CURRENT	25	mA
POWER DISSIPATION	105	mW
DERATE FROM 25°C	-1.2	mW/°C
OPERATING, STORAGE TEMP.	-40 TO +85	°C
SOLDERING TEMP.	+260	°C
2.0mm FROM BODY		3 SEC. MAX

\*  $t < 10\mu\text{s}$

\*UNLESS OTHERWISE SPECIFIED TOLERANCES PER DECIMAL PRECISION ARE: X=#1 ( $\pm 0.039$ ), XX=#0.5 ( $\pm 0.020$ ), XXX=#0.25 ( $\pm 0.010$ ), XXXX=#0.127 ( $\pm 0.005$ ). LEAD SIZE=#0.05 ( $\pm 0.002$ ), LEAD LENGTH=#0.75 ( $\pm 0.030$ ). MIN= +DECIMAL PRECISION -0.00 MAX.= +0.00 -DECIMAL PRECISION

UNCONTROLLED DOCUMENT

REV. B	PART NUMBER SSI-LXH072GD-675	<p>CONFIDENTIAL INFORMATION</p> <p>THE INFORMATION CONTAINED IN THIS DOCUMENT IS THE PROPERTY OF LUMEX INC. EXCEPT AS SPECIFICALLY AUTHORIZED IN WRITING BY LUMEX INC., THE HOLDER OF THIS DOCUMENT SHALL KEEP ALL INFORMATION CONTAINED HEREIN CONFIDENTIAL AND SHALL PROTECT SAME IN WHOLE OR IN PART FROM DISCLOSURE AND DISSEMINATION TO ALL THIRD PARTIES.</p> <p>RELIABILITY NOTE</p> <p>OUR MANY YEARS OF EXPERIENCE DATA ACCUMULATION INDICATE THAT SOLDER HEAT IS A MAJOR CAUSE OF EARLY AND FUTURE FAILURE. PLEASE PAY ATTENTION TO YOUR SOLDERING PROCESS.</p>	 <p>290 E. HELEN ROAD PALATINE, IL 60067-6976 PHONE: +1.847.359.2790 US WEB: www.lumex.com TW WEB: www.lumex.com.tw</p>	<p>DRAWN BY: CT</p> <p>CHECKED BY:</p> <p>APPROVED BY:</p> <p>DATE: 3.23.99 PAGE: 1 OF 1 SCALE: N/A</p>
-----------	---------------------------------	---	---	---

2.3mm x 7mm RECTANGULAR PANEL INDICATOR LED,  
565nm GREEN LED, GREEN DIFFUSED LENS,  
WITH 27" WIRE LEADS.