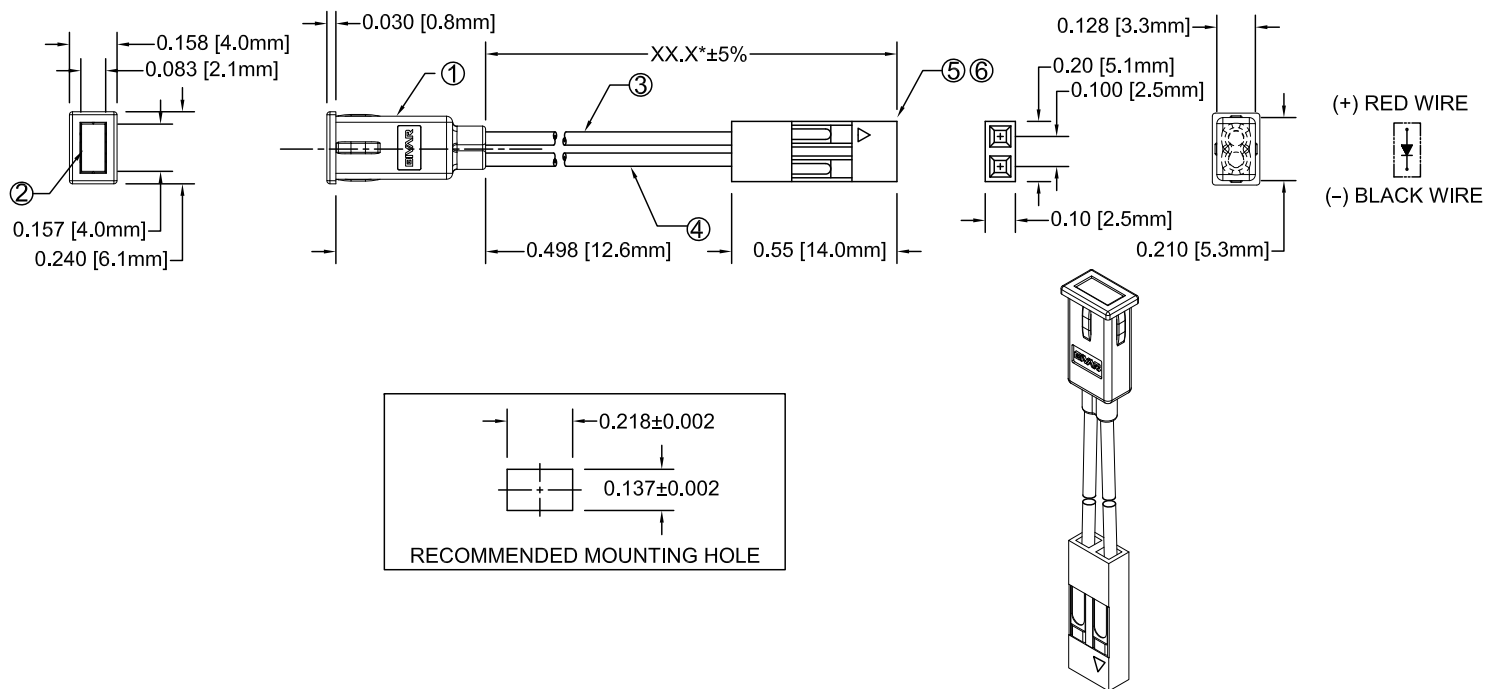


ITEM	Q'TY	PART NUMBER	PART DESCRIPTION
1	1	PMR4	Rectangular LED Holder, Panel Mount, Press Fit
2	1	R4XXX	2 X 4mm Rectangular LED, See Page 2.
3	1	BWS24-1061-RD	24AWG Wire Lead U.L. 1061, Red
4	1	BWS24-1061-BK	24AWG Wire Lead U.L. 1061, Black
5	1	2665S020000	Leoco 2665 Series 2.54mm (100") Crimp Type Socket, 1X
6	2	2653TPB0001	Leoco Terminal# 2653TPB0001 (Reel) 2653TPB00A1(Bulk)

REV.	DESCRIPTION	DATE	APPROVED
A	Engineering Release	07/13/09	T. Y.



## ABSOLUTE MAXIMUM RATINGS (Ta = 25°C)

REVERSE VOLTAGE	5V
REVERSE CURRENT (VR=5V)	100µA
OPERATING TEMPERATURE RANGE	-25°C ~ 85°C
STORAGE TEMPERATURE	-30°C ~ 100°C
LEAD SOLDERING TEMPERATURE (1/16" FROM BODY)	260°C for 5 Seconds

STANDARD TOLERANCE (UNLESS OTHERWISE SPECIFIED)		BIVAR®	
DECIMALS	ANGULAR	4 THOMAS, IRVINE, CA, 92618	
.X	±.1	TEL: (949) 951-8808 FAX: (949) 951-3974	
.XX	±.02	<b>TITLE:</b> 2 X 4mm RECTANGULAR LED PANEL MOUNT ASSEMBLY	
.XXX	±.010	<b>DESIGNED:</b> Raffy Paje	<b>DATE:</b> 07/13/09
		<b>DESIGNED:</b> Raffy Paje	<b>DATE:</b> 07/13/09
		<b>CHECKED:</b> T. Yin	<b>DATE:</b> 07/13/09
		<b>PART NO:</b> PMR4XXXWXX.X-CC	<b>REVISION:</b> A
		<b>CAGE CODE :</b> 32559	<b>SHEET #</b> 1 <b>OF</b> 2
CAD GENERATED DOCUMENT, DO NOT MEASURE DRAWING.			

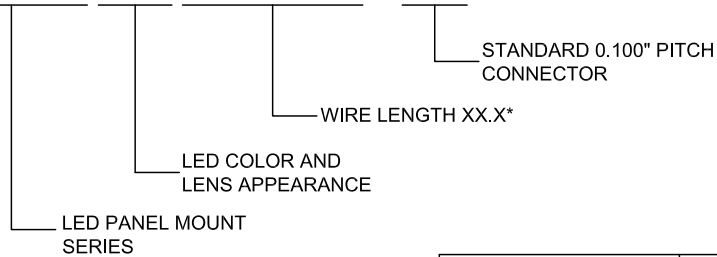
REV.	DESCRIPTION	DATE	APPROVED
	SEE SHEET #1		

### AVAILABLE CONFIGURATIONS

Assy P/N	Emitted Color	Peak Wave Length $\lambda_p$ (nm)	Lens Appearance	Absolute Max. Ratings			Vf (V)		Iv (mcd)	Viewing Angle 2 $\theta_{1/2}$ (Deg)	LED P/N
				Pd (mW)	If (mA)	Peak If (mA)	TYP	MAX	TYP		
<b>STANDARD SINGLE COLOR LED ASSEMBLIES (20mA)</b>											
PMR4ADWXX.X-CC	AMBER	605	DIFFUSED	80	30	150	2.0	2.8	6	120	R4AD
PMR4BWDWXX.X-CC	BLUE	430		150	25	70	4.0	4.5	6	120	R4BWD
PMR4GDWXX.X-CC	GREEN	568		80	30	150	2.1	2.8	8	120	R4GD
PMR4HDWXX.X-CC	HE RED	625		80	30	150	2.0	2.6	8	120	R4HD
PMR4PGDWXX.X-CC	PURE GREEN	555		80	30	150	2.2	2.8	2	120	R4PGD
PMR4RDWXX.X-CC	RED	700		45	20	80	2.1	2.6	0.4	120	R4RD
PMR4YDWXX.X-CC	YELLOW	590		85	30	150	2.0	2.6	6	120	R4YD

### PART NUMBER DESIGNATION

**P M R 4 G D W X X . X - C C**



STANDARD TOLERANCE (UNLESS OTHERWISE SPECIFIED) DECIMALS      ANGULAR		<b>BIVAR</b> <sup>®</sup> 4 THOMAS, IRVINE, CA, 92618 TEL: (949) 951-8808    FAX: (949) 951-3974	
		<b>TITLE:</b> 2 X 4mm RECTANGULAR LED PANEL MOUNT ASSEMBLY	
DESIGNED: <b>Raffy Paje</b>	DATE: <b>07/13/09</b>	<b>PART NO:</b> PMR4XXXWXX.X-CC	REVISION: <b>A</b>
CHECKED: <b>T. Yin</b>	DATE: <b>07/13/09</b>	<b>CAGE CODE :</b> 32559	<b>SHEET #</b> 2 OF 2
<small>CAD GENERATED DOCUMENT, DO NOT MEASURE DRAWING.</small>			

**NOTES:**

1. ADDITIONAL LED OPTICAL / ELECTRICAL DATA AVAILABLE @ WWW.BIVAR.COM