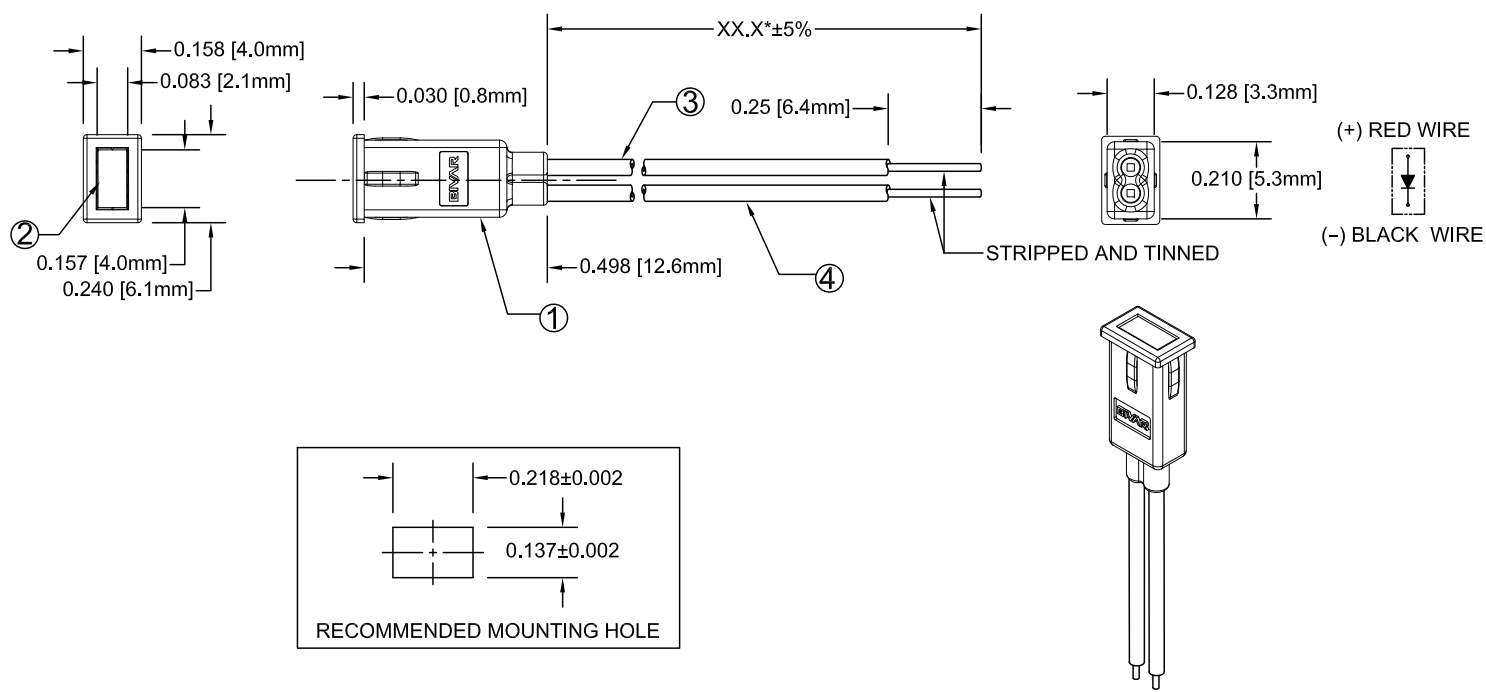



ITEM	Q'TY	PART NUMBER	PART DESCRIPTION
1	1	PMR4	Rectangular LED Holder, Panel Mount, Press Fit
2	1	R4XXX	2 X 4mm Rectangular LED, See Page 2.
3	1	BWS24-1061-RD	24AWG Wire Lead U.L. 1061, Red
4	1	BWS24-1061-BK	24AWG Wire Lead U.L. 1061, Black

REV.	DESCRIPTION	DATE	APPROVED
A	Engineering Release	07/13/09	T. Y.



ABSOLUTE MAXIMUM RATINGS (Ta = 25°C)

REVERSE VOLTAGE	5V
REVERSE CURRENT (VR=5V)	100µA
OPERATING TEMPERATURE RANGE	-25°C ~ 85°C
STORAGE TEMPERATURE	-30°C ~ 100°C
LEAD SOLDERING TEMPERATURE (1/16" FROM BODY)	260°C for 5 Seconds

STANDARD TOLERANCE (UNLESS OTHERWISE SPECIFIED)		 4 THOMAS, IRVINE, CA, 92618 TEL: (949) 951-8808 FAX: (949) 951-3974			
DECIMALS	ANGULAR				
.X ±.1	X° ±1°	TITLE: 2 X 4mm RECTANGULAR LED PANEL MOUNT ASSEMBLY			
.XX ±.02					
.XXX ±.010		DESIGNED: Raffy Paje	DATE: 07/13/09	PART NO: PMR4XXXWXX.X	REVISION: A
CHECKED: T. Yin		DATE: 07/13/09		CAGE CODE : 32559	SHEET # 1 OF 2
CAD GENERATED DOCUMENT, DO NOT MEASURE DRAWING.					

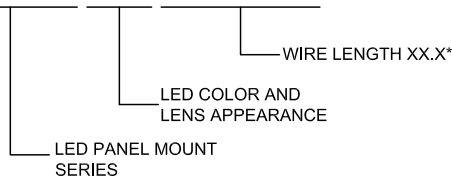
REV.	DESCRIPTION	DATE	APPROVED
	SEE SHEET #1		



AVAILABLE CONFIGURATIONS

Assy P/N	Emitted Color	Peak Wave Length λ_p (nm)	Lens Appearance	Absolute Max. Ratings			Vf (V)		Iv (mcd)	Viewing Angle 2 $\theta_{1/2}$ (Deg)	LED P/N
				Pd (mW)	If (mA)	Peak If (mA)	TYP	MAX			
STANDARD SINGLE COLOR LED ASSEMBLIES (20mA)											
PMR4ADWXX.X	AMBER	605	DIFFUSED	80	30	150	2.0	2.8	6	120	R4AD
PMR4BWDWXX.X	BLUE	430		150	25	70	4.0	4.5	6	120	R4BWD
PMR4GDWXX.X	GREEN	568		80	30	150	2.1	2.8	8	120	R4GD
PMR4HDWXX.X	HE RED	625		80	30	150	2.0	2.6	8	120	R4HD
PMR4PGDWXX.X	PURE GREEN	555		80	30	150	2.2	2.8	2	120	R4PGD
PMR4RDWXX.X	RED	700		45	20	80	2.1	2.6	0.4	120	R4RD
PMR4YDWXX.X	YELLOW	590		85	30	150	2.0	2.6	6	120	R4YD

PART NUMBER DESIGNATION

P M R 4 G D W X X . X



STANDARD TOLERANCE (UNLESS OTHERWISE SPECIFIED)		 4 THOMAS, IRVINE, CA, 92618 TEL: (949) 951-8808 FAX: (949) 951-3974	
DECIMALS	ANGULAR		
		TITLE: 2 X 4mm RECTANGULAR LED PANEL MOUNT ASSEMBLY	
		DESIGNED: Raffy Paje	DATE: 07/13/09
CHECKED: T. Yin		DATE: 07/13/09	
CAGE CODE : 32559		SHEET # 2 OF 2	
CAD GENERATED DOCUMENT, DO NOT MEASURE DRAWING.			

NOTES:

1. ADDITIONAL LED OPTICAL / ELECTRICAL DATA AVAILABLE @ WWW.BIVAR.COM