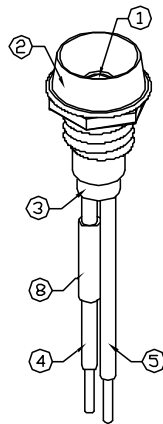
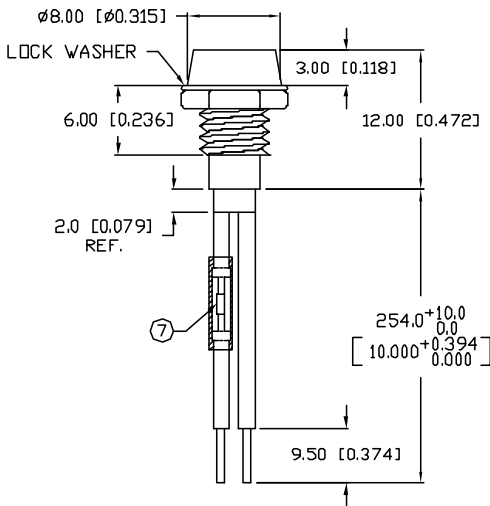


UNCONTROLLED DOCUMENT

PART NUMBER		REV.
SSI-LXR1612ID44567		A
REV.	E.C.N. NUMBER AND REVISION COMMENTS	DATE
A	E.C.N. #10BRDR. & REDRAWN.	10.18.01



ELECTRO-OPTICAL CHARACTERISTICS $T_A=25^{\circ}\text{C}$ $V_f=24\text{V}$

PARAMETER	MIN	TYP	MAX	UNITS	TEST COND
PEAK WAVELENGTH		635		nm	
FORWARD VOLTAGE		24	28	V_f	
REVERSE VOLTAGE	5.0			V_r	$I_f=100\mu\text{A}$
AXIAL INTENSITY		30		mcd	$V_f=24\text{V}$
VIEWING ANGLE		60		2x theta	
EMITTED COLOR:	RED				
EPOXY LENS FINISH:	RED DIFFUSED				

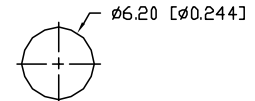
LIMITS OF SAFE OPERATION AT 25°C

PARAMETER	MAX	UNITS
PEAK FORWARD VOLTAGE	28	V
STEADY CURRENT	22	mA
POWER DISSIPATION	310	mW
DERATE FROM 25°C	-1.6	mW/°C
OPERATING, STORAGE TEMP.	-40 TO +85	°C

NOTES:

1. SSL-LX3054ID, RED LED. TRIM LED LEADS TO 5mm.
2. SSI-LXR1612 CHROME HOUSING.
3. SSH-LXH1612BSG, BUSHING, INSERT AND CRIMP.
4. ANODE LEAD: LXP-WST26RDT, 26 AWG, STRANDED, RED INSULATION. CUT 45mm LONG, STRIP BOTH ENDS 2mm. CUT 205mm LONG, STRIP 2mm AND 9.5mm.
5. CATHODE LEAD: LXP-WST26BLT, 26 AWG, STRANDED, BLACK INSULATION. CUT 261mm LONG, STRIP END 2mm AND 9.5mm.
6. SOLDER LEAD WIRES TO LED LEADS.
7. LXP-RES 1000 1/2W, 1K OHM 1/2 WATT RESISTOR. TRIM LEADS OF RESISTOR 18mm END TO END.
8. INSULATE RESISTOR AND CRIMPS WITH HEATSHRINK. (1/8" x 1" LONG).

PANEL CUTOUT



*UNLESS OTHERWISE SPECIFIED TOLERANCES PER DECIMAL PRECISION ARE: X=±1 (±0.039), XX=±0.5 (±0.020), XXX=±0.25 (±0.010), XXXX=±0.127 (±0.005). LEAD SIZE=±0.05 (±0.002), LEAD LENGTH=±0.75 (±0.030). MIN= +DECIMAL PRECISION -0.00, MAX= +0.00 -DECIMAL PRECISION

UNCONTROLLED DOCUMENT

REV. A	PART NUMBER SSI-LXR1612ID44567	<p>CONFIDENTIAL INFORMATION</p> <p>THE INFORMATION CONTAINED IN THIS DOCUMENT IS THE PROPERTY OF LUMEX INC. EXCEPT AS SPECIFICALLY AUTHORIZED IN WRITING BY LUMEX INC., THE HOLDER OF THIS DOCUMENT SHALL KEEP ALL INFORMATION CONTAINED HEREIN CONFIDENTIAL AND SHALL PROTECT SAME IN WHOLE OR IN PART FROM DISCLOSURE AND DISSEMINATION TO ALL THIRD PARTIES.</p> <p>RELIABILITY NOTE</p> <p>OUR MANY YEARS OF EXPERIENCE DATA ACCUMULATION INDICATE THAT SOLDER HEAT IS A MAJOR CAUSE OF EARLY AND FUTURE FAILURE. PLEASE PAY ATTENTION TO YOUR SOLDERING PROCESS.</p>	<p>290 E. HELEN ROAD PALATINE, IL 60067-6976 PHONE: +1.847.359.2790 US WEB: www.lumex.com TW WEB: www.lumex.com.tw</p>
T-3mm (T-1) LED PANEL INDICATOR, 635nm RED LED, RED DIFFUSED LENS, 24 VOLT OPERATION, WITH 10" WIRE LEADS.		DRAWN BY: BC CHECKED BY: APPROVED BY:	DATE: 11.17.99 PAGE: 1 OF 1 SCALE: N/A