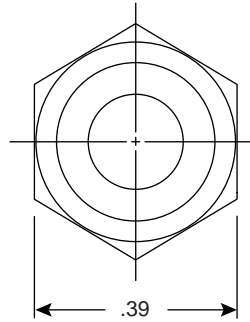
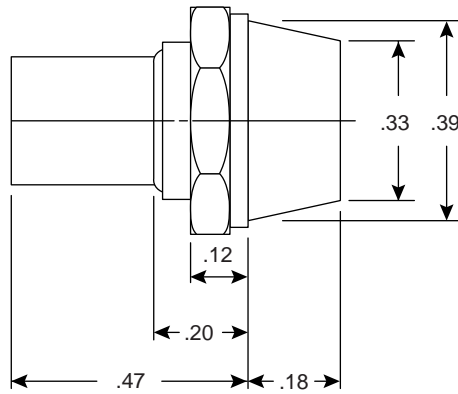
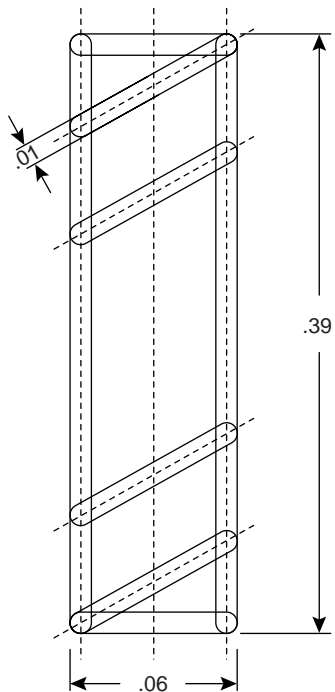
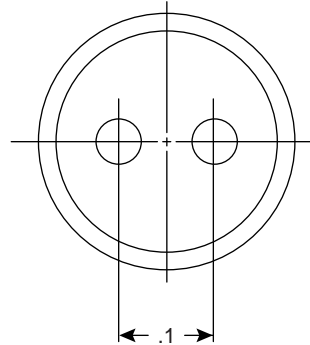


351-1100
Mounting Nut and Lockwasher included
Threads M6 x .75mm
Base and Spring not included

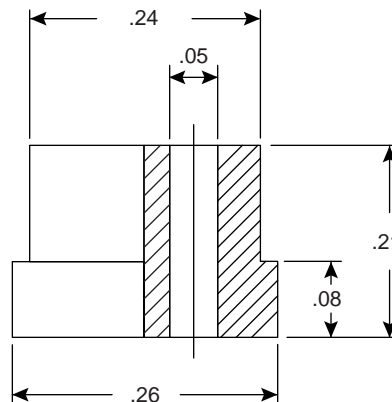


Specifications:

- Bezel: gold plated brass
- Base: ABS
- Spring: steel
- Dielectric strength of base: 1000VAC for 1 minute



351-1201
Bezel Spring



351-1200
Bezel Base

Dimensions (In.)