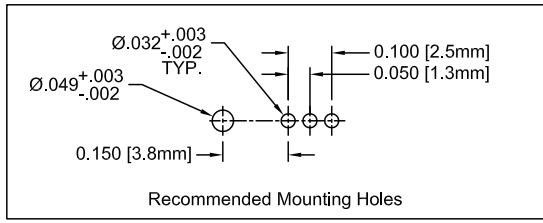
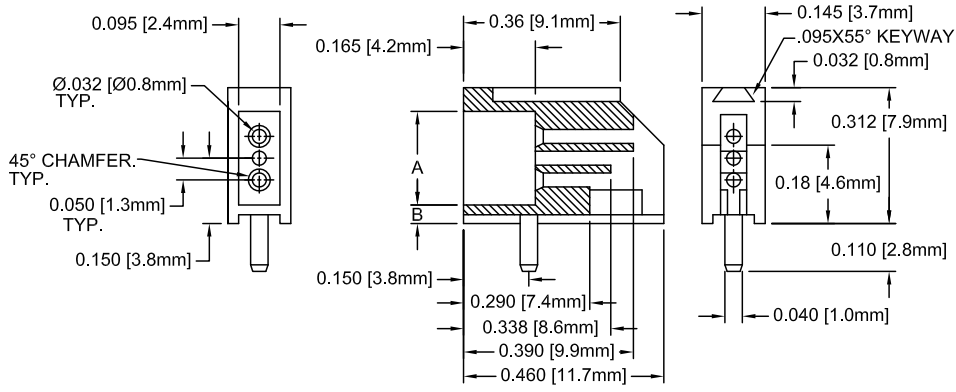


REV.	DESCRIPTION	DATE	APPROVED
A	Engineering Update w/o Changes	02/27/04	M. C.
B	Model Update	06/15/09	T. Y.



PART NO.	A	B
H-3RV-4	.160 (4.1mm)	.070 (1.8mm)
H-3RV-5	.215 (4.5mm)	.043 (1.1mm)

- 2. MATERIAL: NYLON 6/6, 94V-0, BLACK. BIVAR MATERIAL CODE 22-BK.  
RTP POLYAMIDE NYLON 6/6, 0200 FR, BLACK OR MODIFIED PLASTICS MN6/6-SE BK.
- 1. GENERAL SPECIFICATIONS: BIVAR MOLDED COMPONENT SPECIFICATION BV00-E101.

STANDARD TOLERANCE (UNLESS OTHERWISE SPECIFIED)		 <b>BIVAR</b> <sup>®</sup> 4 THOMAS, IRVINE, CA, 92618 TEL: (949) 951-8808 FAX: (949) 951-3974			
DECIMALS	ANGULAR				
.X ± .1	X° ± 1°	<b>TITLE:</b> MULTIPLE SIZE RECTANGULAR LED HOLDER B/H-LEAD / TR-LEAD COUPLING BAR MOUNTABLE			
.XX ± .01					
.XXX ± .005		DESIGNED:	DATE:	<b>PART NO:</b> H-3RV-X	REVISION:
		Shane Irving	01/19/99		B
CHECKED:	DATE:	CAGE CODE : 32559		SHEET # 1 OF 1	
D. Green	02/27/04	CAD GENERATED DOCUMENT, DO NOT MEASURE DRAWING.			