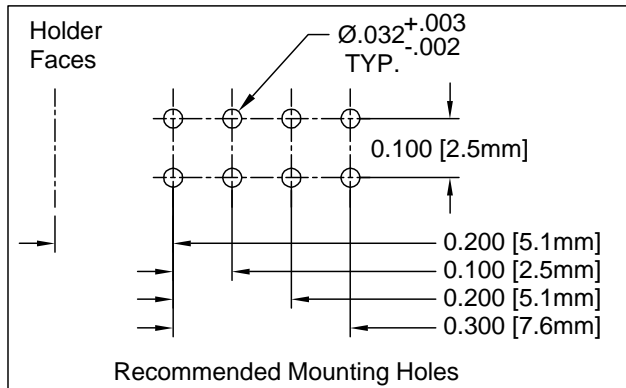
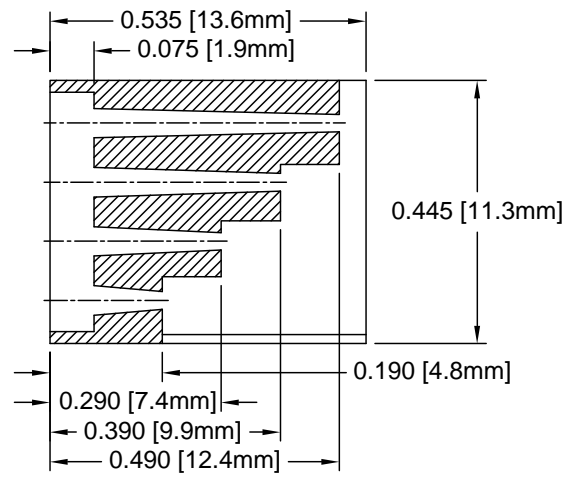
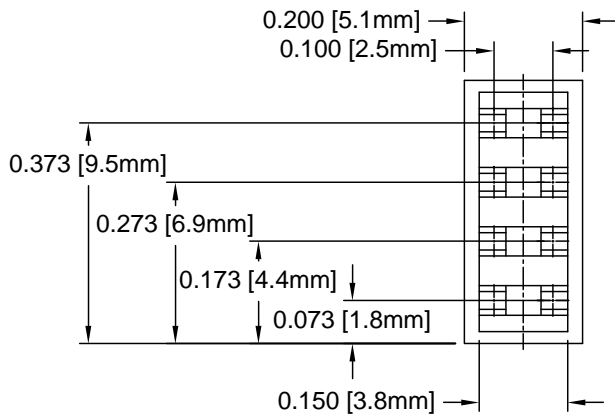


REV.	DESCRIPTION	DATE	APPROVED
B	Engineering Update w/o Changes	02/27/04	M. C.



2. MATERIAL: NYLON 6/6, 94V-0, BLACK. BIVAR MATERIAL CODE 22-BK.  
RTP POLYAMIDE NYLON 6/6, 0200 FR, BLACK OR MODIFIED PLASTICS MN6/6-SE BK.
1. GENERAL SPECIFICATIONS: BIVAR MOLDED COMPONENT SPECIFICATION BV00-E101.

STANDARD TOLERANCE (UNLESS OTHERWISE SPECIFIED)		BIVAR®	
DECIMALS	ANGULAR	4 THOMAS, IRVINE, CA. 92618	
.X ± .1	X° ± 1°	TEL: (949) 951-8808 FAX: (949) 951-3974	
.XX ± .01		TITLE: QUAD-LEVEL 2mm LED HOLDER	
.XXX ± .005		DESIGNED: <b>Shane Irving</b>	DATE: <b>05/03/99</b>
		CHECKED: <b>M. Chen</b>	DATE: <b>12/10/03</b>
		PART NO: <b>H485C</b>	REVISION: <b>B</b>
		CAGE CODE : <b>32559</b>	SHEET # <b>1 OF 1</b>
		CAD GENERATED DOCUMENT. DO NOT MEASURE DRAWING.	