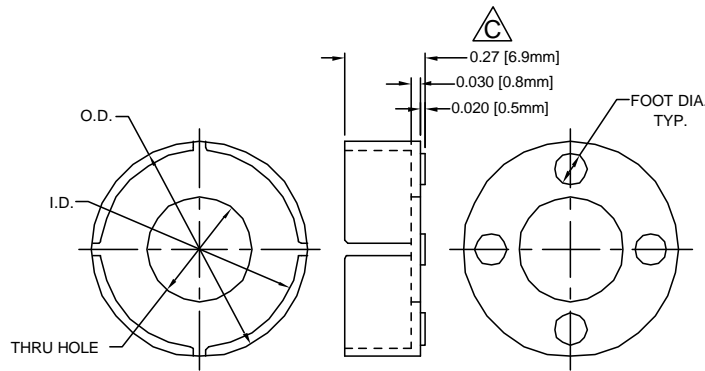



| REV. | DESCRIPTION | DATE | APPROVED |
|------|--------------------------------|----------|----------|
| B | Engineering Update w/o Changes | 02/26/04 | M. C. |
| C | Changed Dim. "0.275" to "0.27" | 01/31/05 | M. C. |
| | | | |
| | | | |



| PART NO. | EC TYPE | I.D. | O.D. | THRU HOLE | FOOT DIA. |
|----------|---------|---------------|---------------|--------------|--------------|
| ECM-1 | 5 | .227 (5.8mm) | .287 (7.3mm) | .125 (3.2mm) | .060 (1.5mm) |
| ECM-2 | 6-6.3 | .273 (6.9mm) | .333 (8.5mm) | .150 (3.8mm) | .070 (1.8mm) |
| ECM-3 | 8 | .345 (8.8mm) | .405 (10.3mm) | .225 (5.7mm) | .070 (1.8mm) |
| ECM-4 | 10 | .424 (10.8mm) | .484 (12.3mm) | .250 (6.4mm) | .100 (2.5mm) |
| ECM-5 | 12.5-13 | .542 (13.8mm) | .602 (15.3mm) | .350 (8.9mm) | .105 (2.7mm) |
| ECM-6 | 16 | .660 (16.8mm) | .720 (18.3mm) | .350 (8.9mm) | .106 (2.7mm) |
| ECM-7 | 18 | .738 (18.7mm) | .798 (20.3mm) | .350 (8.9mm) | .106 (2.7mm) |

| PART NO. | EC TYPE | I.D. | O.D. | THRU HOLE | FOOT DIA. |
|----------|---------|----------------|----------------|---------------|--------------|
| ECM-8 | 20 | .817 (20.8mm) | .877 (22.3mm) | .441 (11.2mm) | .118 (3.0mm) |
| ECM-9 | 22 | .896 (22.8mm) | .956 (24.3mm) | .449 (11.4mm) | .118 (3.0mm) |
| ECM-10 | 25 | 1.008 (25.6mm) | 1.074 (27.3mm) | .547 (13.9mm) | .138 (3.5mm) |
| ECM-11 | 25.5 | 1.030 (26.2mm) | 1.090 (27.7mm) | .547 (13.9mm) | .138 (3.5mm) |
| ECM-12 | 30 | 1.210 (30.5mm) | 1.270 (32.3mm) | .645 (16.4mm) | .138 (3.5mm) |
| ECM-13 | 35 | 1.410 (35.8mm) | 1.470 (37.3mm) | .645 (16.4mm) | .138 (3.5mm) |

2. MATERIAL: NYLON 6/6, 94V-2, NATURAL. BIVAR MATERIAL CODE 03-NL.
 BASF ULTRAMID NYLON 6/6 A3K NATURAL.
1. GENERAL SPECIFICATIONS: BIVAR MOLDED COMPONENT SPECIFICATION BV00-E101.

| | | | | | |
|--|---------|---|--------------------------|---------------------------|---|
| STANDARD TOLERANCE (UNLESS OTHERWISE SPECIFIED) | |  4 THOMAS, IRVINE, CA. 92618 TEL: (949) 951-8808 FAX: (949) 951-3974 | | | |
| DECIMALS | ANGULAR | | | | |
| .X ±.1 | X° ±1° | TITLE: ELECTROLYTIC CAPACITOR MOUNT | | | |
| .XX ±.01 | | | | | |
| .XXX ±.005 | | DESIGNED: Shane Irving | DATE: 08/27/98 | PART NO: ECM-XX | REVISION: C |
| CHECKED: M. Chen | | DATE: 03/04/03 | CAGE CODE : 32559 | SHEET # 1 OF 1 | CAD GENERATED DOCUMENT. DO NOT MEASURE DRAWING. |