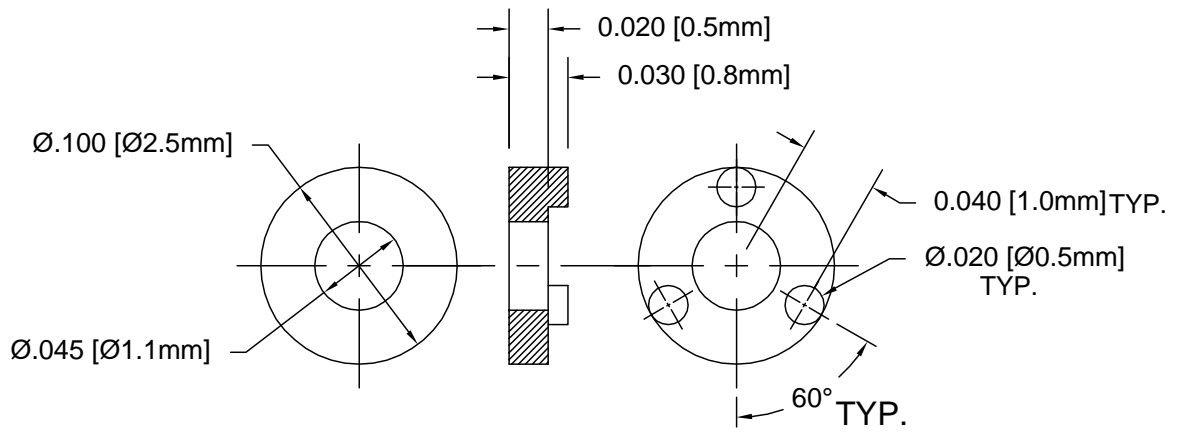



REV.	DESCRIPTION	DATE	APPROVED
C	Engineering Update w/o Changes	02/20/04	M. C.



- 2. MATERIAL: NYLON 6/6, 94V-2, WHITE. BIVAR MATERIAL CODE 04-WE.
BASF ULTRAMID NYLON 6/6 A3K WHITE.
- 1. GENERAL SPECIFICATIONS: BIVAR MOLDED COMPONENT SPECIFICATION BV00-E101.

STANDARD TOLERANCE (UNLESS OTHERWISE SPECIFIED)		 BIVAR [®] 4 THOMAS, IRVINE, CA. 92618 TEL: (949) 951-8808 FAX: (949) 951-3974			
DECIMALS	ANGULAR				
.X ± .1	X° ± 1°	TITLE: PERM-O-PAD			
.XX ± .01					
.XXX ± .005		DESIGNED: Shane Irving CHECKED: D. Green	DATE: 05/12/98 DATE: 02/20/04	PART NO: 413-030 CAGE CODE : 32559	REVISION: C SHEET # 1 OF 1
CAD GENERATED DOCUMENT. DO NOT MEASURE DRAWING.					