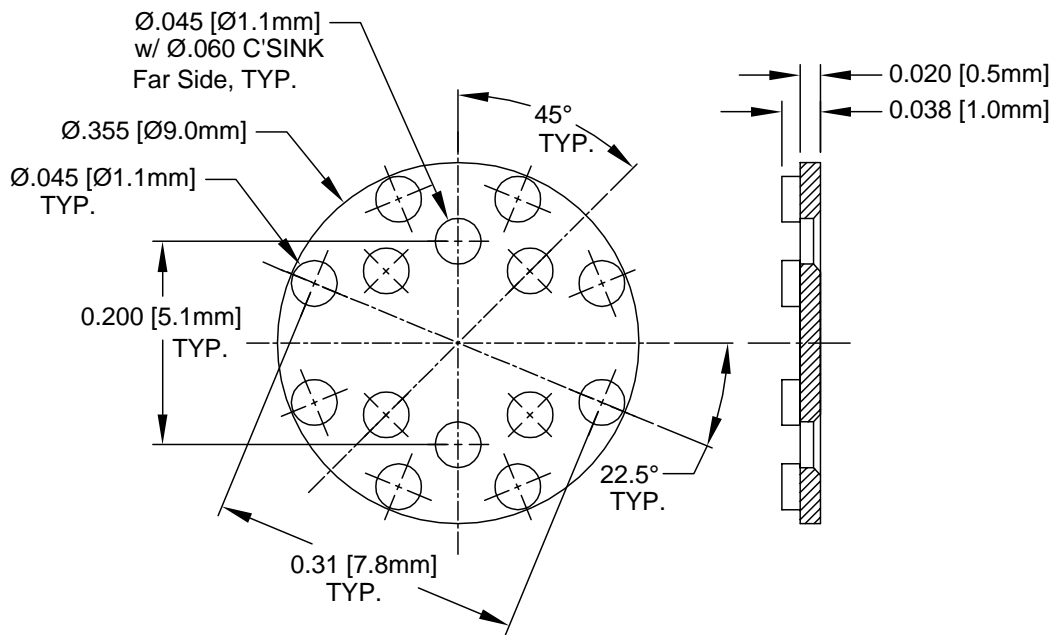



REV.	DESCRIPTION	DATE	APPROVED
A	Engineering Update w/o Changes	02/23/04	M. C.



- 2. MATERIAL: NYLON 6/6, 94V-2, WHITE. BIVAR MATERIAL CODE 04-WE.  
BASF ULTRAMID NYLON 6/6 A3K WHITE.
- 1. GENERAL SPECIFICATIONS: BIVAR MOLDED COMPONENT SPECIFICATION BV00-E101.

STANDARD TOLERANCE (UNLESS OTHERWISE SPECIFIED)		 4 THOMAS, IRVINE, CA. 92618 TEL: (949) 951-8808 FAX: (949) 951-3974			
DECIMALS	ANGULAR				
.X ± .1	X° ± 1°	<b>TITLE:</b> PERM-O-PAD TO-5 AND IC MOUNT			
.XX ± .01					
.XXX ± .005		DESIGNED:	DATE:	<b>PART NO:</b>	REVISION:
		<b>Ty Yin</b>	<b>02/23/04</b>	<b>602-038</b>	<b>A</b>
CHECKED:	DATE:	<b>CAGE CODE : 32559</b>		<b>SHEET # 1 OF 1</b>	
<b>D. Green</b>	<b>02/23/04</b>	CAD GENERATED DOCUMENT. DO NOT MEASURE DRAWING.			