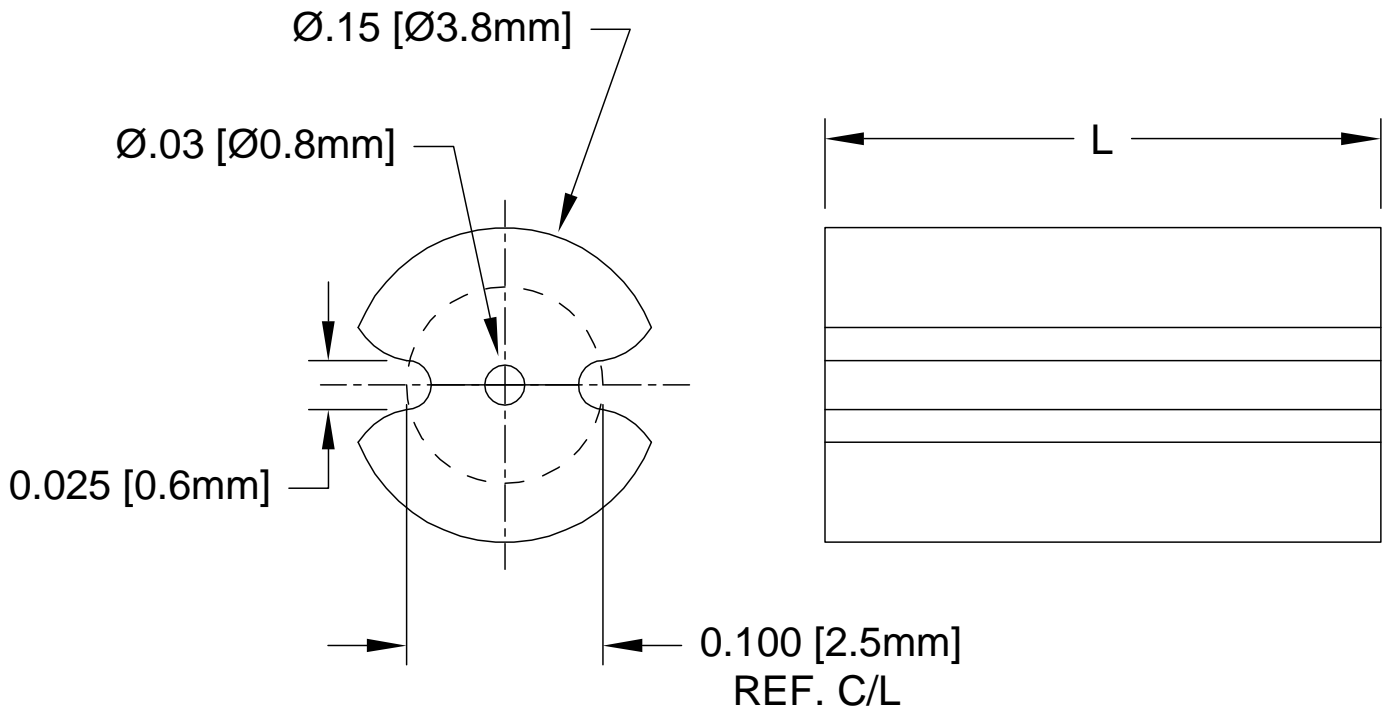


REV.	DESCRIPTION	DATE	APPROVED
A	Engineering Release.	12/13/06	M. C.




3. TOLERANCE "L" DIMENSION:

- 0.030 - 0.500 (1.0 - 12.7mm)±0.005(0.1mm)
- 0.505 - 0.750 (12.8 - 19.1mm)±0.008(0.2mm)
- 0.755 - 1.250 (19.2 - 31.8mm)±0.015(0.4mm)

2. MATERIAL: DUPONT ZYTEL FN714 NC010 NYLON 66, 94V-0, PANTONE BLUE 294C.

1. GENERAL SPECIFICATIONS: BIVAR EXTRUDED PRODUCT SPECIFICATION BV00-E105.

STANDARD TOLERANCE (UNLESS OTHERWISE SPECIFIED)		 BIVAR [®] 4 THOMAS, IRVINE, CA. 92618 TEL: (949) 951-8808 FAX: (949) 951-3974			
DECIMALS	ANGULAR				
.X ±.1	X° ± 1°	TITLE: HI-TEMP EXTRUDED SELF-RETAINING LED MOUNT			
.XX ±.01					
.XXX ±.005		DESIGNED: Ty Yin	DATE: 12/13/06	PART NO: ENM 1-XXXX	REVISION: A
CHECKED: M. Chen		DATE: 12/13/06	CAGE CODE: 32559	SHEET # 1 OF 1	<small>CAD GENERATED DOCUMENT, DO NOT MEASURE DRAWING.</small>