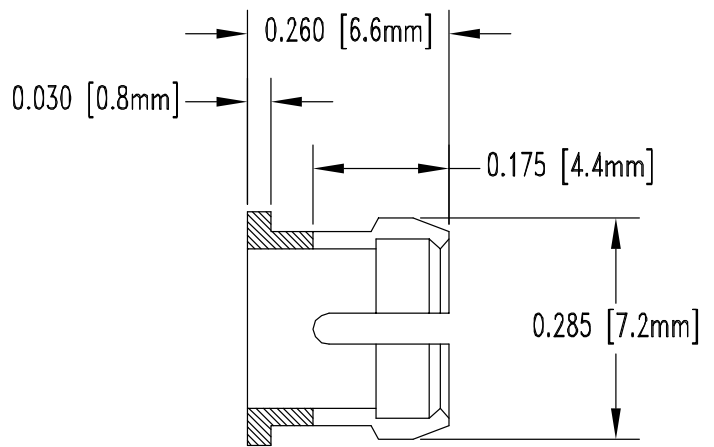
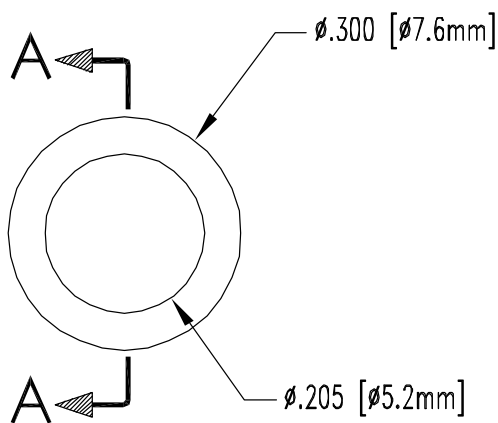

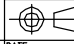


REV	DESCRIPTION	DATE	APPROVED
A	ENGINEERING RELEASE.	05/17/02	M. C.
B	MATERIAL UPDATE.	02/28/03	M. C.



## SECTION A-A

2. MATERIAL: NYLON 6/6, 94V-0, BLACK. (0% REGRIND ALLOWED)  
RTP POLYAMIDE NYLON 6/6, RTP 0200 FR, BLACK, 94V-0, OR  
MODIFIED PLASTICS MN6/6-SE BK, 94V-0, BIVAR MATERIAL CODE 22-BK.
1. GENERAL SPECIFICATIONS: BIVAR MOLDED COMPONENT SPECIFICATION BV00-E101.

UNLESS OTHERWISE SPECIFIED: DIMENSIONS ARE IN INCHES		TOLERANCES		 <b>4 THOMAS, IRVINE, CA.92618</b> TEL: (949) 951-8908 FAX: (949) 951-3974					
DECIMALS	ANGULAR								
.X ± .1	X' ± 1°			PART NAME:					
.XX ± .01				CLIP, SNAP-IN MOUNTING FOR T1(3mm) LEDs					
.XXX ± .005				SIZE	DWG NAME	DWG NO.	REV		
DESIGNER SHANE IRVING	DATE 11/24/98	SCALE	1=1	CAGE CODE	32559	SHEET	1	OF	1
CHECKER M CHEN	DATE 02/28/03								