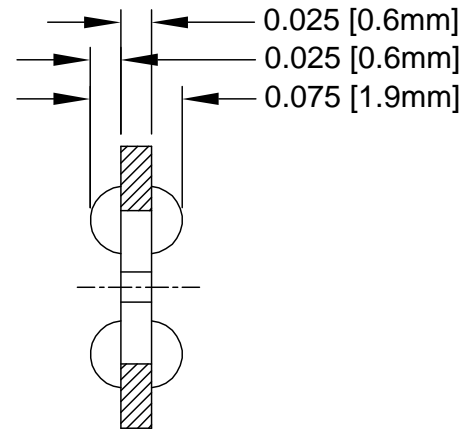
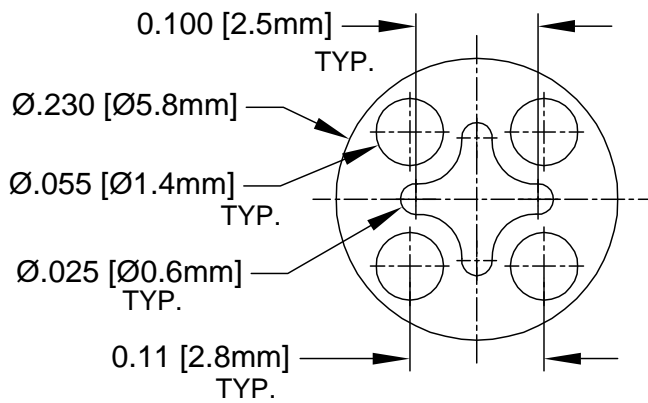



REV.	DESCRIPTION	DATE	APPROVED
A	Engineering Update w/o Changes	02/16/04	M. C.



3. MATERIAL: NYLON 6/6, 94V-2, NATURAL. BIVAR MATERIAL CODE 21-NL. TICONA NYLON 1310, NYLON 6/6, NATURAL.
2. MATERIAL: NYLON 6/6, 94V-2, WHITE. BIVAR MATERIAL CODE 04-WE. BASF ULTRAMID NYLON 6/6 A3K WHITE.
1. GENERAL SPECIFICATIONS: BIVAR MOLDED COMPONENT SPECIFICATION BV00-E101.

STANDARD TOLERANCE (UNLESS OTHERWISE SPECIFIED)		 BIVAR [®] 4 THOMAS, IRVINE, CA. 92618 TEL: (949) 951-8808 FAX: (949) 951-3974	
DECIMALS	ANGULAR		
.X ± .1	X° ± 1°	TITLE: PERM-O-PAD TO-18 MOUNT PART NO: 125-080 REVISION: A	
.XX ± .01			
.XXX ± .005		DESIGNED: Shane Irving DATE: 06/18/98	CAGE CODE : 32559 SHEET # 1 OF 1
CHECKED: D. Green DATE: 02/16/04		CAD GENERATED DOCUMENT. DO NOT MEASURE DRAWING.	