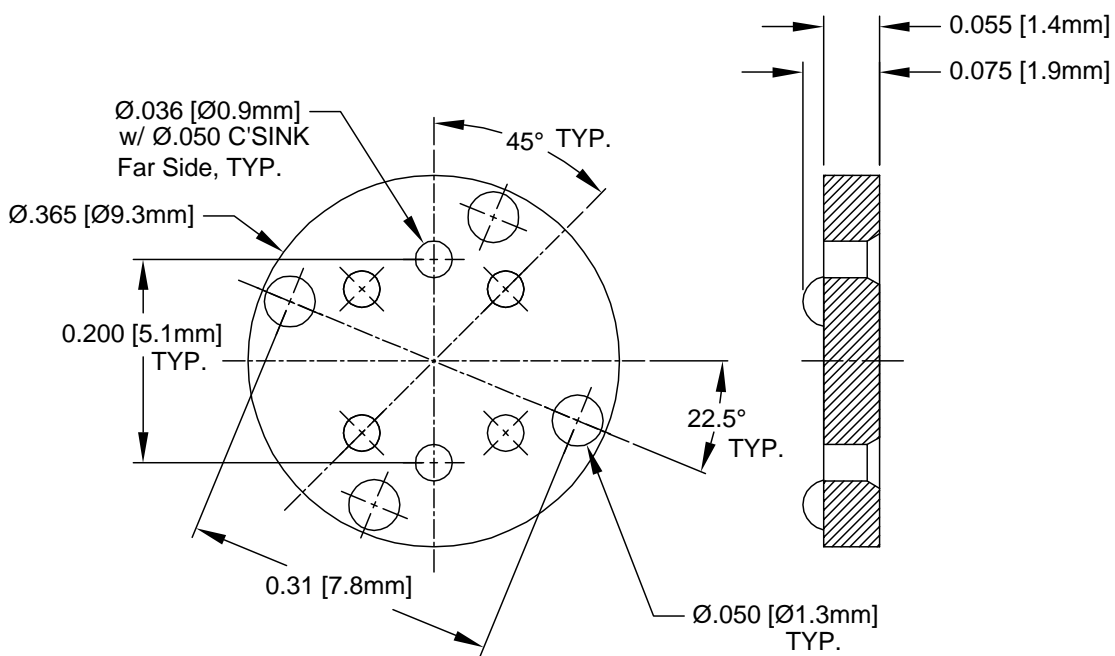



REV.	DESCRIPTION	DATE	APPROVED
A	Engineering Update w/o Changes	02/23/04	M. C.



- 2. MATERIAL: NYLON 6/6, 94V-2, WHITE. BIVAR MATERIAL CODE 04-WE.
BASF ULTRAMID NYLON 6/6 A3K WHITE.
- 1. GENERAL SPECIFICATIONS: BIVAR MOLDED COMPONENT SPECIFICATION BV00-E101.

STANDARD TOLERANCE (UNLESS OTHERWISE SPECIFIED)		 BIVAR [®] 4 THOMAS, IRVINE, CA. 92618 TEL: (949) 951-8808 FAX: (949) 951-3974	
DECIMALS	ANGULAR		
.X ± .1 .XX ± .01 .XXX ± .005	X° ± 1°		
DESIGNED: Ty Yin	DATE: 02/23/04	TITLE: PERM-O-PAD TO-5 AND IC MOUNT	REVISION: A
CHECKED: D. Green	DATE: 02/23/04	PART NO: 609-075	SHEET # 1 OF 1
CAGE CODE : 32559			
CAD GENERATED DOCUMENT. DO NOT MEASURE DRAWING.			