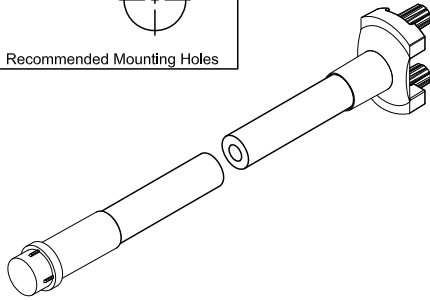
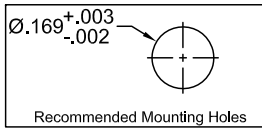
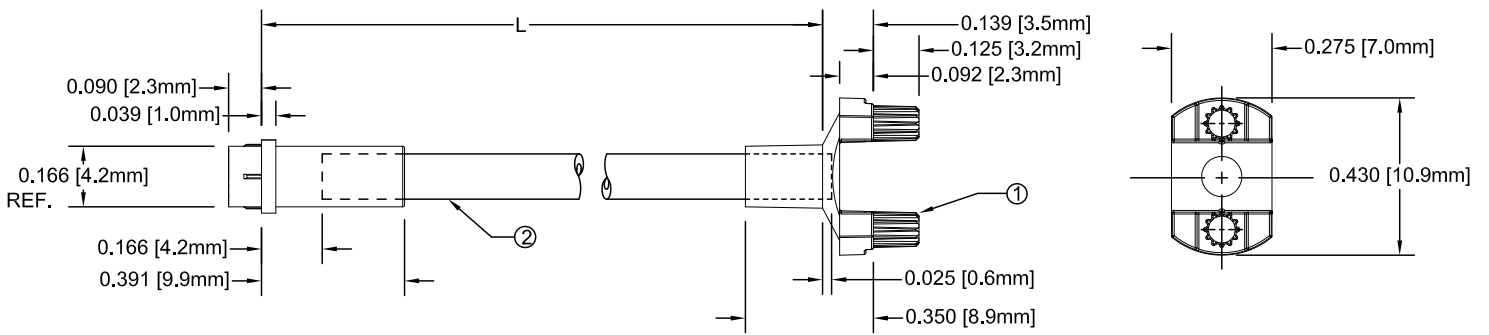


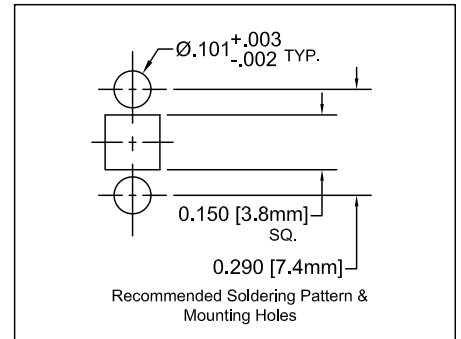
ITEM	Q'TY	PART NUMBER	PART DESCRIPTION
1	1	SMFLP2	Flexible Light Pipe 2mm Adapter, Surface Mount
2	1	FLPF-XX.X	Flexible Light Pipe Lens Cap Assembly, 2mm, Flat Face

REV.	DESCRIPTION	DATE	APPROVED
A	Engineering Release	09/14/09	T. Y.

NOTE: SMFLP2 ADAPTER SHIPPED NON-ASSEMBLED



" L "	Tolerance
2.5" ~ 16.0"	±0.050"
16.1" ~ 40.0"	±0.15"
40.1" ~ 80.0"	±0.30"
80.1" ~ 3,940.0"	±0.5%



STANDARD TOLERANCE (UNLESS OTHERWISE SPECIFIED)		 4 THOMAS, IRVINE, CA, 92618 TEL: (949) 951-8808 FAX: (949) 951-3974			
DECIMALS	ANGULAR				
.X ±.1	X° ± 1°	TITLE: FLEXIBLE LIGHT PIPE ASSY, FLAT FACE, SM ADAPTER			
.XX ±.02					
.XXX ±.010		DESIGNED:	DATE:	PART NO:	REVISION:
Brian Oliver	09/14/09	SMFLP2F-X.X	A		
CHECKED:	DATE:	CAGE CODE :	SHEET #	OF	
Fred Jensen	09/14/09	32559	1	1	

CAD GENERATED DOCUMENT, DO NOT MEASURE DRAWING.