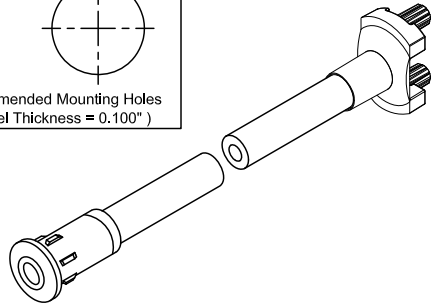
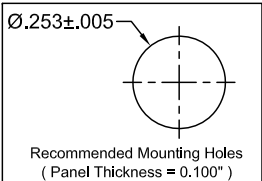
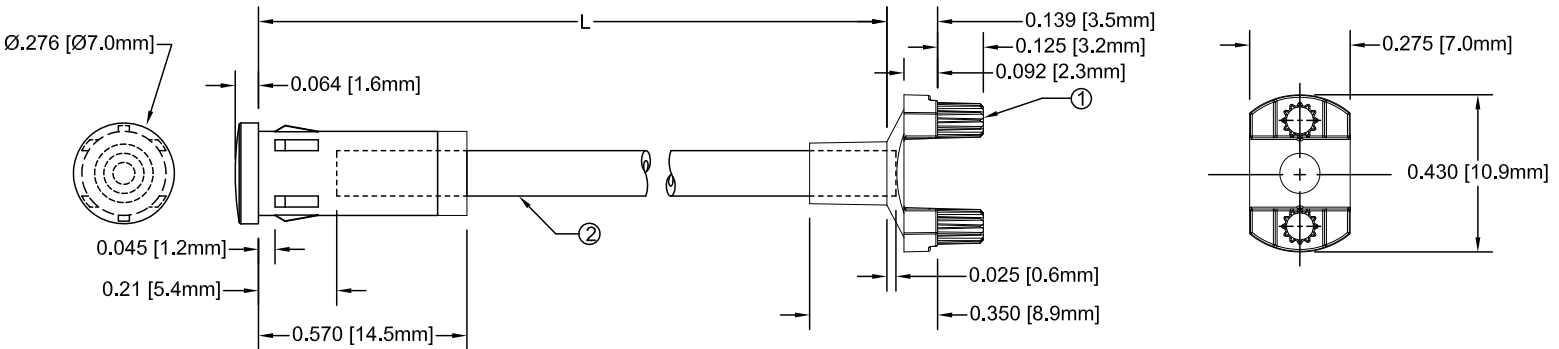


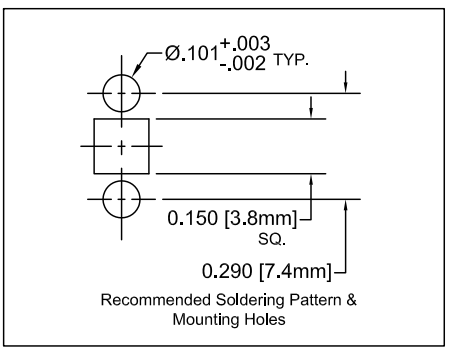
ITEM	Q'TY	PART NUMBER	PART DESCRIPTION
1	1	SMFLP2	Flexible Light Pipe 2mm Adapter, Surface Mount
2	1	FLP25-XX.X	Flexible Light Pipe Lens Cap Assembly, 2mm

REV.	DESCRIPTION	DATE	APPROVED
A	Engineering Release	09/14/09	T. Y.

NOTE: SMFLP2 ADAPTER SHIPPED NON-ASSEMBLED



" L "	Tolerance
2.5" ~ 16.0"	±0.050"
16.1" ~ 40.0"	±0.15"
40.1" ~ 80.0"	±0.30"
80.1" ~ 3,940.0"	±0.5%



STANDARD TOLERANCE (UNLESS OTHERWISE SPECIFIED)		 4 THOMAS, IRVINE, CA, 92618 TEL: (949) 951-8808 FAX: (949) 951-3974	
DECIMALS	ANGULAR		
.X ±.1	X° ± 1°	 TITLE: FLEXIBLE LIGHT PIPE ASSY, 7mm ROUND, SM ADAPTER	REVISION: A
.XX ±.02			
.XXX ±.010		PART NO: SMFLP25-X.X	REVISION: A
DESIGNED: Brian Oliver	DATE: 09/14/09	CAGE CODE : 32559	SHEET # 1 OF 1
CHECKED: Fred Jensen	DATE: 09/14/09	CAD GENERATED DOCUMENT, DO NOT MEASURE DRAWING.	