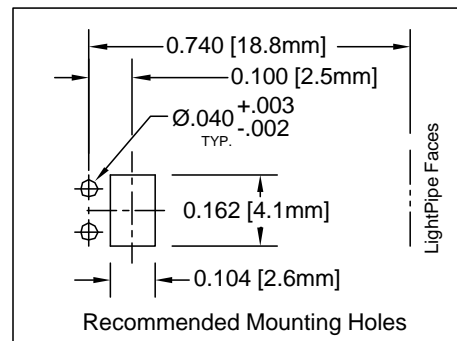
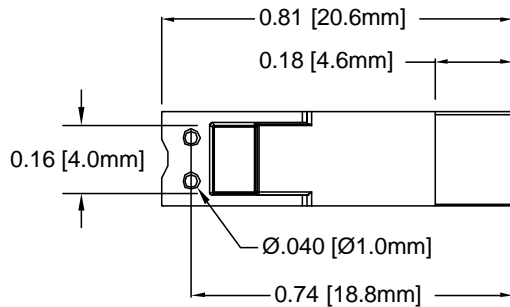
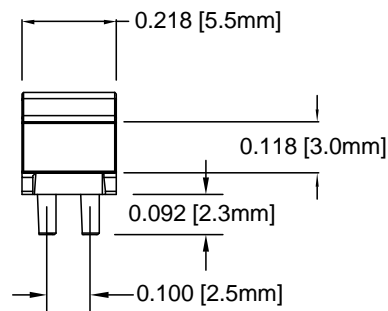
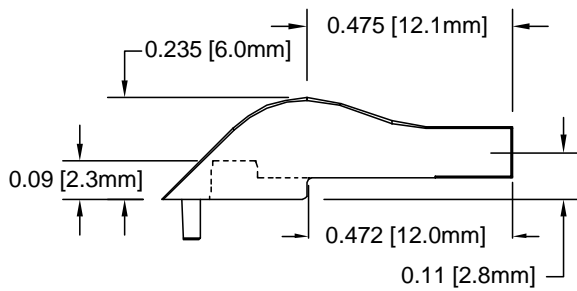


REV.	DESCRIPTION	DATE	APPROVED
E	Engineering Update w/o Changes	03/09/04	M. C.



2. MATERIAL: POLYCARBONATE, 94V-0, CLEAR. BIVAR MATERIAL CODE 47-CR. SAM YANG CORPORATION POLYCARBONATE 3025N2 CLEAR.
1. GENERAL SPECIFICATIONS: BIVAR MOLDED COMPONENT SPECIFICATION BV00-E101.

STANDARD TOLERANCE (UNLESS OTHERWISE SPECIFIED)		BIVAR®	
DECIMALS	ANGULAR	4 THOMAS, IRVINE, CA. 92618	
.X ± .1	X° ± 1°	TEL: (949) 951-8808 FAX: (949) 951-3974	
.XX ± .01		TITLE: LIGHT PIPE, 90° SURFACE MOUNT	
.XXX ± .005		PART NO: SLP-2	REVISION: E
DESIGNED: Michael Chen	DATE: 09/11/03	CAGE CODE : 32559	SHEET # 1 OF 1
CHECKED: D. Green	DATE: 09/11/03	CAD GENERATED DOCUMENT. DO NOT MEASURE DRAWING.	