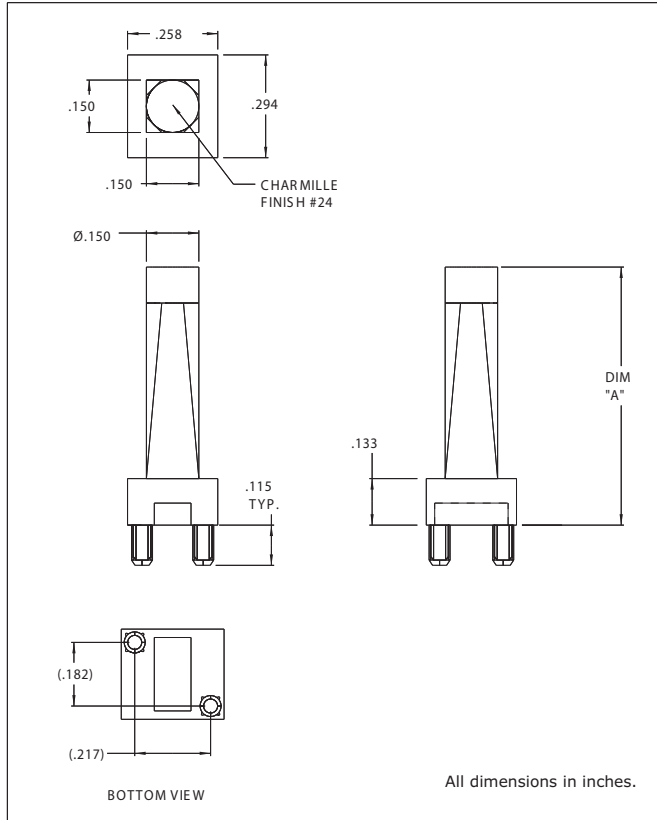




7511A87 Series Bright★Pipes™ Optical Lightpipes

DESCRIPTION AND FEATURES



- Precision engineered with **ray tracing** for bright, optically precise even indication and attractive appearance.
- ESD protection from circuitry for exceptional reliability.
- Designed for use with 7016X Series Bright Chip LEDs.
- High contrast and wide viewing angle for greater visibility.
- Large lens provides high visibility.
- All dimensions in inches (mm).

Mounting hole pattern on page 1-X5.

PART NO.	DIM "A"
7511A87-500	.500
7511A87-450	.450
7511A87-400	.400
7511A87-350	.350
7511A87-300	.300
7511A87-250	.250

147 Central Avenue
 Hackensack, NJ 07601
 Phone: (201) 489-8989
 Fax: (201) 489-6911

18703 Dix Toledo Road
 Brownstown, MI 48193

Saret Zone Franca, Edificio B
 Alajuela Costa Rica

E-mail: sales@chml.com • Web Site: www.chml.com

Chicago Miniature Lighting, LLC reserves the right to make specification revisions that enhance the design and/or performance of the product