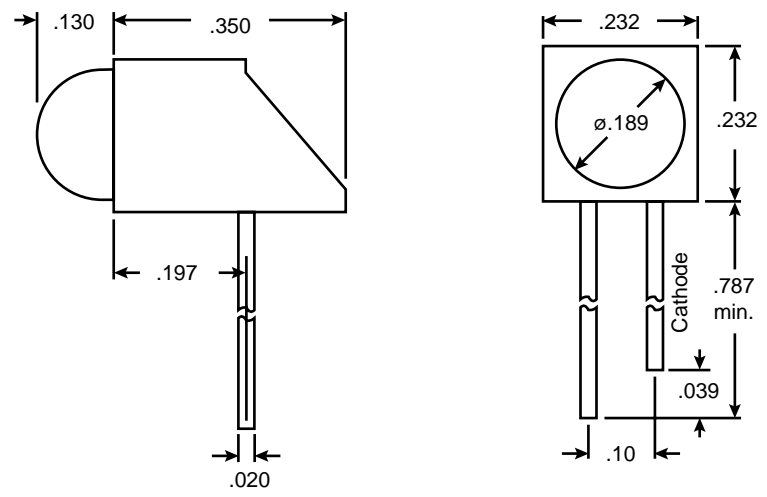


Dimensions (In.)



Absolute Maximum Ratings @ Ta=25°C

Parameter	351-2501	351-2502	351-2503
Power Dissipation (mW)	80	100	100
DC Forward Current (mA)	30	30	30
Peak Forward Current (mA)	80	120	80
Reverse Voltage (V)	5	5	5
Operating Temperature Range	-20°C to +80°C		
Storage Temperature Range	-40°C to +100°C		
Lead Solder Temperature .063" below package (case) 260°C for 5 seconds			

Electrical Characteristics (Ta=25°C)

Mouser Stock No.	Dice Material	Emitted Light Color	Lens	Forward Voltage (V) Typ	Reverse Current (µA)	Peak Wavelength (nm)	Luminous Intensity (mcd) Typ
351-2501	GaP	Red	Red Diff	2.2	100	695	2.7
351-2502	GaP	Green	Green Diff	2.2	100	570	13.0
351-2503	GaAsP/GaP	Yellow	Yellow Diff	2.1	100	590	15.0

- Material Specifications:**
- DTL and TTL Compatible.
 - Black Plastic Case.

Downloaded from Elcodis.com electronic components distributor