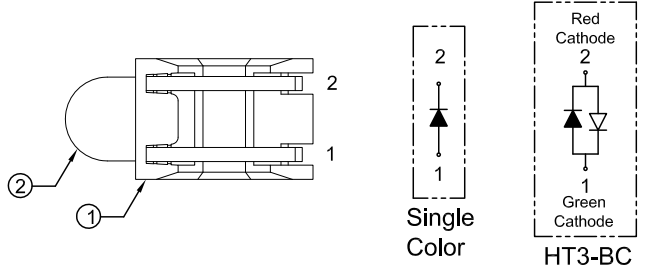
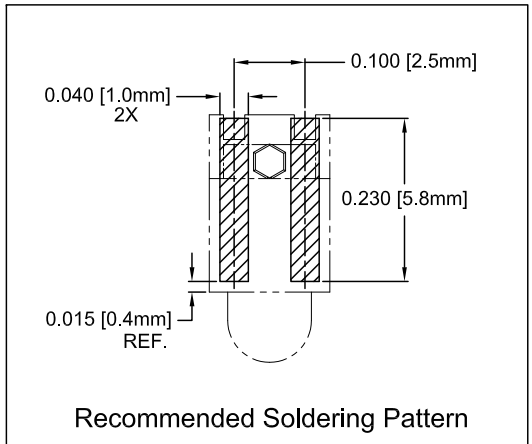
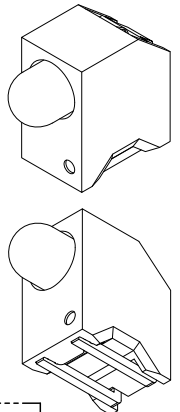
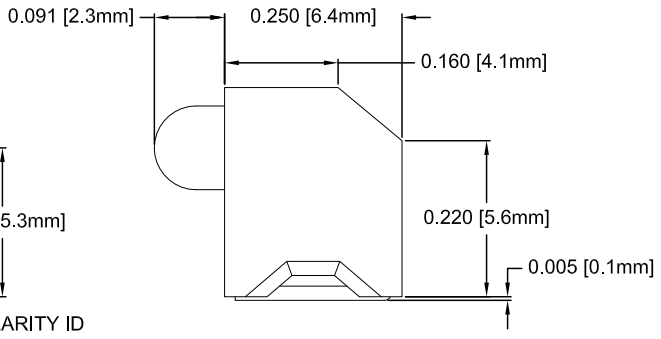
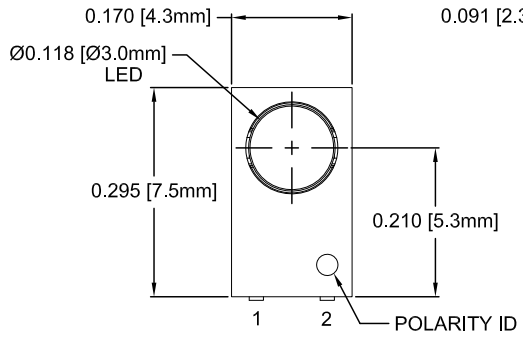


ITEM	QTY	PART NUMBER	PART DESCRIPTION
1	1	HT3	T1 (3mm) High Temperature Single Level Holder, 90° Mount
2	1	BDL-XXXX	T1 (3mm) N-Flange LED, See Page 2

REV.	DESCRIPTION	DATE	APPROVED
A	Engineering Release	03/09/10	T. Y.



### ABSOLUTE MAXIMUM RATINGS (Ta=25° C)

REVERSE VOLTAGE	_____	5V
REVERSE CURRENT	_____	100µA
OPERATING TEMPERATURE RANGE	_____	-25° C - 85° C
STORAGE TEMPERATURE	_____	-30° C - 100° C
LEAD SOLDERING TEMPERATURE(1/16" FROM BODY)	_____	260° C FOR 5 SECONDS

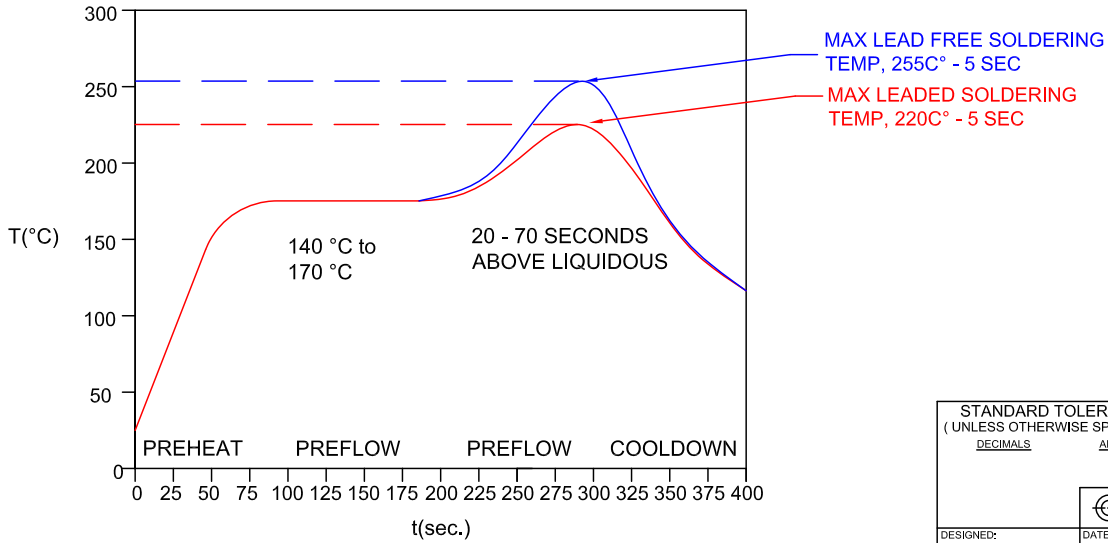
STANDARD TOLERANCE (UNLESS OTHERWISE SPECIFIED)		 4 THOMAS, IRVINE, CA, 92618 TEL: (949) 951-8808 FAX: (949) 951-3974	
DECIMALS	ANGULAR		
.X ±.1	X° ±1°		
.XX ±.02		<b>TITLE:</b> T1 (3mm) SMT 90° SURFACE MOUNT LED ASSEMBLY	<b>REVISION:</b> A
.XXX ±.010			
DESIGNED: Raffy Paje	DATE: 03/09/10	<b>PART NO:</b> HT3-XXX	
CHECKED: T. Yin	DATE: 03/09/10	<b>CAGE CODE :</b> 32559	<b>SHEET # 1 OF 2</b>
CAD GENERATED DOCUMENT, DO NOT MEASURE DRAWING.			


REV.	DESCRIPTION	DATE	APPROVED
	SEE SHEET #1		

### AVAILABLE CONFIGURATIONS

Assy P/N	Emitted Color	Peak Wave Length $\lambda_p$ (nm)	Lens Appearance	Absolute Max. Ratings			Vf (V)		Iv (mcd)	Viewing Angle 2 $\theta_{1/2}$ (Deg)	LED P/N
				Pd (mW)	If (mA)	Peak If (mA)	TYP	MAX	TYP		
<b>STANDARD SINGLE COLOR LED ASSEMBLIES (20mA)</b>											
HT3-BLU	BLUE	430	DIFFUSED	150	25	70	4.0	4.5	10	40	BDL-1358
HT3-GRN	GREEN	568		80	30	150	2.1	2.8	25	40	BDL-1355
HT3-RED	HE RED	625		80	30	150	2.0	2.8	30	40	BDL-1356
HT3-YEL	YELLOW	590		85	30	150	2.0	2.8	20	40	BDL-1357
<b>STANDARD BI-COLOR LED ASSEMBLIES (20mA)</b>											
HT3-BC	RED	625	WHITE DIFFUSED	80	30	150	2.0	2.8	6	45	BDL-1351
	GREEN	568		80	30	150	2.1	2.8	6		

### CONVECTIVE REFLOW SOLDERING PROFILE



STANDARD TOLERANCE (UNLESS OTHERWISE SPECIFIED)		 4 THOMAS, IRVINE, CA, 92618 TEL: (949) 951-8808    FAX: (949) 951-3974	
DECIMALS	ANGULAR		
DESIGNED: Raffy Paje	DATE: 03/09/10	TITLE: T1 (3mm) SMT 90° SURFACE MOUNT LED ASSEMBLY	REVISION: A
CHECKED: T. Yin	DATE: 03/09/10	PART NO: HT3-XXX	CAGE CODE : 32559    SHEET # 2 OF 2
CAD GENERATED DOCUMENT, DO NOT MEASURE DRAWING.			

NOTES:  
1. ADDITIONAL LED OPTICAL / ELECTRICAL DATA AVAILABLE @ WWW.BIVAR.COM.