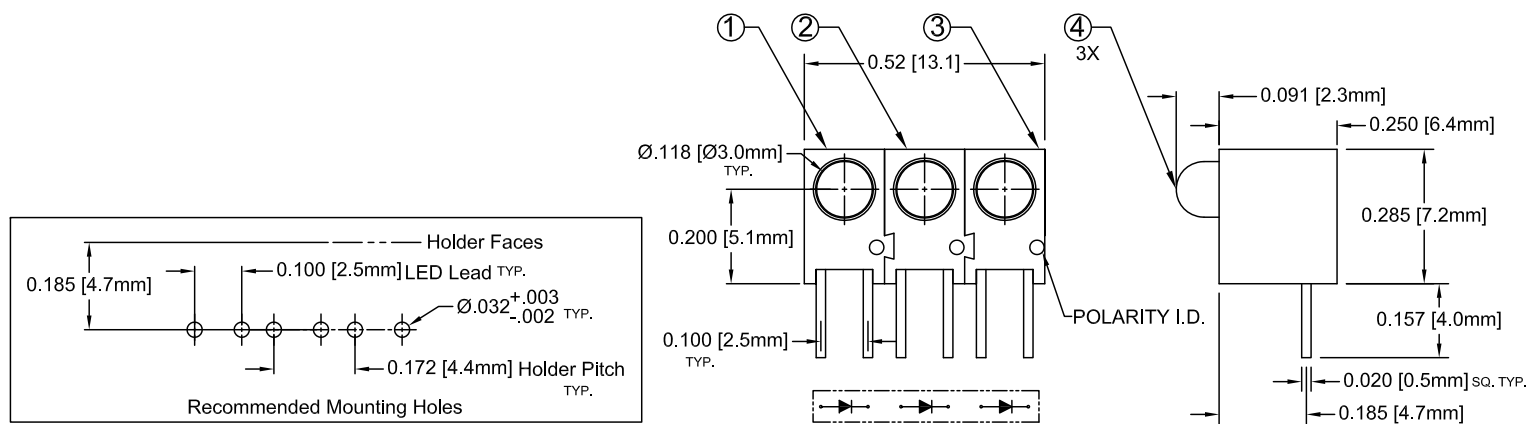


ITEM	Q'TY	PART NUMBER	PART DESCRIPTION
1	1	H-102C	T1 (3mm) LED Holder, 90° Mount, Interlocking Left End
2	1	H-100C	T1 (3mm) LED Holder, 90° Mount, Interlocking Center
2	1	H-103C	T1 (3mm) LED Holder, 90° Mount, Interlocking Right End
2	3	3GDL-S	T1 (3mm) Shouldered LED, Green Diffused, Low Current

REV.	DESCRIPTION	DATE	APPROVED
A	Engineering Release.	12/18/01	M. C.
B	Engineering Update, Corrected View From Single to Triple Station.	09/28/04	M. C.
C	LED Update.	02/25/10	T. Y.



LED Part No.	Chip			Lens Appearance	Absolute Maximum Ratings				Electro-Optical Data @ 2mA			Viewing Angle 2 θ 1/2 (Deg)
	Material	Emitted Color	Peak Wave Length λp(nm)		Δλ (nm)	Pd (mW)	If (Typ.) (mA)	Peak If (mA)	Vf (V)		Iv (mcd)	
									Typ.	Max.	Typ.	
3GDL-S	GaP/GaP	GREEN	568	DIFFUSED	-	10	7	-	2.1	2.6	2	40

### ABSOLUTE MAXIMUM RATINGS (Ta = 25°C)

- REVERSE VOLTAGE \_\_\_\_\_ 5V
- REVERSE CURRENT ( VR=5V) \_\_\_\_\_ 100µA
- OPERATING TEMPERATURE RANGE \_\_\_\_\_ -25°C ~ 85°C
- STORAGE TEMPERATURE \_\_\_\_\_ -30°C ~ 100°C
- LEAD SOLDERING TEMPERATURE (1/16" FROM BODY) \_\_\_\_\_ 260°C for 5 Seconds

STANDARD TOLERANCE ( UNLESS OTHERWISE SPECIFIED )		<b>BIVAR</b> <sup>®</sup>	4 THOMAS, IRVINE, CA, 92618 TEL: (949) 951-8808 FAX: (949) 951-3974
DECIMALS	ANGULAR		
.X ± .1	X° ± 1°	<b>TITLE:</b> T1 (3mm) TRI-STATION ASSEMBLY	
.XX ± .02		<b>DESIGNED:</b> Shane Irving	<b>DATE:</b> 12/18/01
.XXX ± .010		<b>CHECKED:</b> M. Chen	<b>DATE:</b> 12/18/01
		<b>PART NO:</b> H103CGDL	<b>REVISION:</b> C
		<b>CAGE CODE :</b> 32559	<b>SHEET #</b> 1 OF 1
CAD GENERATED DOCUMENT, DO NOT MEASURE DRAWING.			