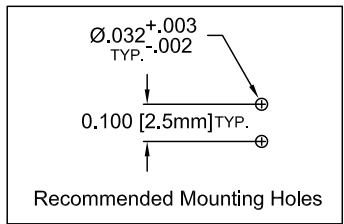
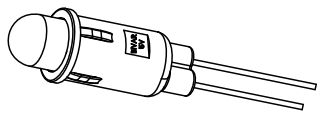
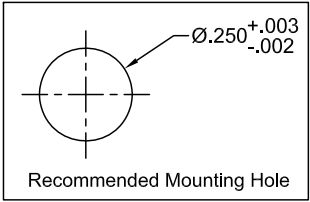
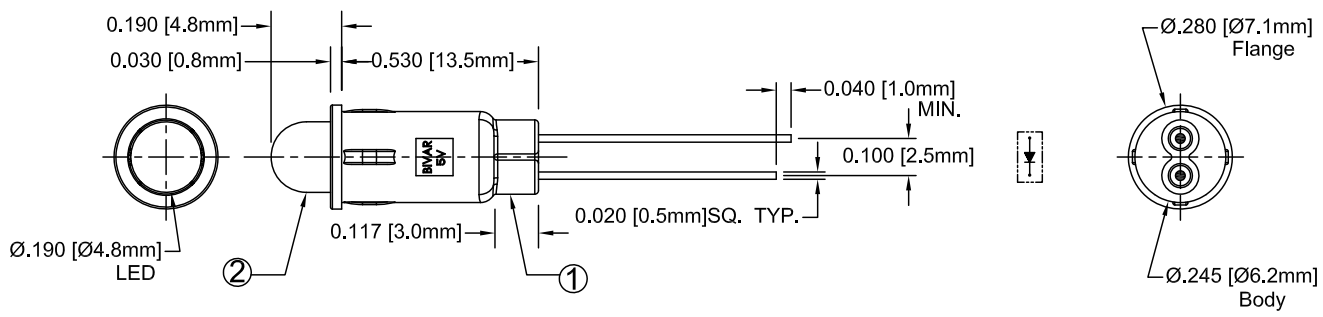


ITEM	QTY	PART NUMBER	PART DESCRIPTION
1	1	PM5-5V	5V LED holder, Panel Mount, Press Fit (5mm)
2	1	5XX5V	T-1 3/4 (5mm) Non-Flange LED, 5 Volt

REV.	DESCRIPTION	DATE	APPROVED
A	Engineering Release.	07/26/07	M. C.
B	Updated LED Holder.	10/27/08	T. Y.




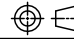
ABSOLUTE MAXIMUM RATINGS (Ta = 25°C)

REVERSE VOLTAGE	5V
REVERSE CURRENT (VR=5V)	100µA
OPERATING TEMPERATURE RANGE	-25°C ~ 85°C
STORAGE TEMPERATURE	-30°C ~ 100°C
LEAD SOLDERING TEMPERATURE (1/16" FROM BODY)	260°C for 5 Seconds

STANDARD TOLERANCE (UNLESS OTHERWISE SPECIFIED)		 4 THOMAS, IRVINE, CA, 92618 TEL: (949) 951-8808 FAX: (949) 951-3974	
DECIMALS	ANGULAR		
.X ±.1	X° ± 1°		
.XX ±.02		TITLE: T-1 3/4 (5mm) Panel Mount Assembly	REVISION: B
.XXX ±.010			
DESIGNED: Dan Beckman	DATE: 07/26/07	PART NO: PM5XX5V	
CHECKED: T. Yin	DATE: 07/26/07	CAGE CODE : 32559	SHEET # 1 OF 2
CAD GENERATED DOCUMENT, DO NOT MEASURE DRAWING.			

REV.	DESCRIPTION	DATE	APPROVED
	SEE SHEET#1.		

Assembly Part No.	Chip			Lens Appearance	Absolute Max. Ratings		Electro-Optical Data @ 5V		Viewing Angle 2 θ ½ (Deg)
	Material	Peak Wave Length λp(nm)	Emitted Color		If (mA)	Peak If(mA)	Vf (V)	Iv (mcd)	
							MAX	TYP	
PM5BWD5V	GaN/SiC	430	BLUE	DIFFUSED	8	12	5.0	15.0	45
PM5GC5V	GaP/GaP	568	GREEN	WATER CLEAR	8	12	5.0	40.0	35
PM5GD5V	GaP/GaP	568	GREEN	DIFFUSED	8	12	5.0	25.0	45
PM5GT5V	GaP/GaP	568	GREEN	TINTED	8	12	5.0	40.0	35
PM5YC5V	GaAsP/GaP	590	YELLOW	WATER CLEAR	8	12	5.0	25.0	35
PM5YD5V	GaAsP/GaP	590	YELLOW	DIFFUSED	8	12	5.0	20.0	45
PM5YT5V	GaAsP/GaP	590	YELLOW	TINTED	8	12	5.0	25.0	35
PM5AC5V	GaAsP/GaP	605	AMBER	WATER CLEAR	8	12	5.0	30.0	35
PM5AD5V	GaAsP/GaP	605	AMBER	DIFFUSED	8	12	5.0	25.0	45
PM5AT5V	GaAsP/GaP	605	AMBER	TINTED	8	12	5.0	30.0	35
PM5HC5V	GaAsP/GaP	625	HE RED	WATER CLEAR	8	12	5.0	40.0	35
PM5HD5V	GaAsP/GaP	625	HE RED	DIFFUSED	8	12	5.0	25.0	45
PM5HT5V	GaAsP/GaP	625	HE RED	TINTED	8	12	5.0	40.0	35
PM5RC5V	GaP/GaP	700	RED	WATER CLEAR	8	12	5.0	2.0	35
PM5RD5V	GaP/GaP	700	RED	DIFFUSED	8	12	5.0	2.0	45
PM5RT5V	GaP/GaP	700	RED	TINTED	8	12	5.0	2.0	35

STANDARD TOLERANCE (UNLESS OTHERWISE SPECIFIED) ±10% ALL VALUES ANGULAR		 4 THOMAS, IRVINE, CA, 92618 TEL: (949) 951-8808 FAX: (949) 951-3974	
			
DESIGNED: Dan Beckman	DATE: 07/26/07	PART NO: PM5XX5V	
CHECKED: T. Yin	DATE: 07/26/07	CAGE CODE : 32559	SHEET # 2 OF 2
CAD GENERATED DOCUMENT. DO NOT MEASURE DRAWING.			