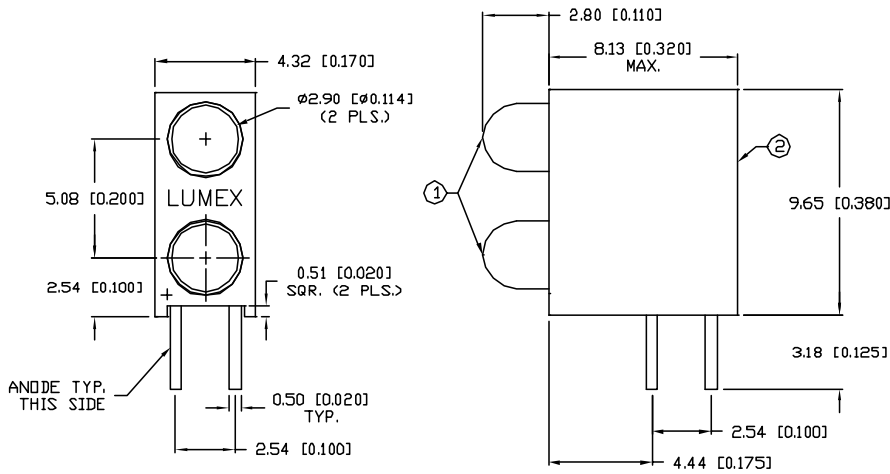


|               |                                     |      |
|---------------|-------------------------------------|------|
| PART NUMBER   |                                     | REV. |
| SSF-LXH240AAD |                                     |      |
| REV.          | E.C.N. NUMBER AND REVISION COMMENTS | DATE |



**NOTES:**

1. SSL-LX3044AD, AMBER LED. (2 PCS.)
2. SSH-LXH240 HOLDER. MATERIAL: BLACK NYLON 94V-0.

**ELECTRO-OPTICAL CHARACTERISTICS**  $T_A=25^\circ\text{C}$   $I_f=20\text{mA}$

| PARAMETER          | MIN            | TYP | MAX | UNITS          | TEST COND                   |
|--------------------|----------------|-----|-----|----------------|-----------------------------|
| PEAK WAVELENGTH    | 605 (AMBER)    |     |     | nm             |                             |
| FORWARD VOLTAGE    |                | 2.0 | 2.5 | V <sub>f</sub> |                             |
| REVERSE VOLTAGE    | 5.0            |     |     | V <sub>r</sub> | I <sub>f</sub> =100 $\mu$ A |
| AXIAL INTENSITY    |                | 15  |     | mcd            | I <sub>f</sub> =20mA        |
| VIEWING ANGLE      |                | 60  |     | 2x theta       |                             |
| EMITTED COLOR:     | AMBER          |     |     |                |                             |
| EPOXY LENS FINISH: | AMBER DIFFUSED |     |     |                |                             |

**LIMITS OF SAFE OPERATION AT 25°C**

| PARAMETER                | MAX        | UNITS      |
|--------------------------|------------|------------|
| PEAK FORWARD CURRENT*    | 150        | mA         |
| STEADY CURRENT           | 30         | mA         |
| POWER DISSIPATION        | 105        | mW         |
| DERATE FROM 25°C         | -1.6       | mW/°C      |
| OPERATING, STORAGE TEMP. | -40 TO +85 | °C         |
| SOLDERING TEMP.          | +260       | °C         |
| 2.0mm FROM BODY          |            | 3 SEC. MAX |

\*  $t < 10\mu\text{s}$

\*UNLESS OTHERWISE SPECIFIED TOLERANCE IS  $\pm 0.25\text{mm}$  ( $\pm 0.010"$ )

|   |                              |  |                           |  |
|---|------------------------------|--|---------------------------|--|
| REV.  | PART NUMBER<br>SSF-LXH240AAD | <b>CONFIDENTIAL INFORMATION</b><br>THE INFORMATION CONTAINED IN THIS DOCUMENT IS THE PROPERTY OF LUMEX INC. EXCEPT AS SPECIFICALLY AUTHORIZED IN WRITING BY LUMEX INC. THE HOLDER OF THIS DOCUMENT SHALL KEEP ALL INFORMATION CONTAINED HEREIN CONFIDENTIAL AND SHALL PROTECT SAME IN WHOLE OR IN PART FROM DISCLOSURE AND DISSEMINATION TO ALL THIRD PARTIES. | <b>LUMEX INCORPORATED</b> | 290 E. HELLEN ROAD<br>PALATINE, ILLINOIS 60067<br>PHONE: 1-847-359-2790<br>WEB: HTTP://WWW.LUMEX.COM |
| T-3mm (T-1) LED, PIGGY-BACK HOLDER,<br>POS.1: AMBER DIFFUSED LED, POS.2:AMBER DIFFUSED LED. |                              | <b>RELIABILITY NOTE</b><br>OUR MANY YEARS OF EXPERIENCE DATA ACCUMULATION INDICATE THAT SOLDER HEAT IS A MAJOR CAUSE OF EARLY AND FUTURE FAILURE. PLEASE PAY ATTENTION TO YOUR SOLDERING PROCESS.  | DRAWN BY: TM/BC           | CHECKED BY:  |
|   |                              |  | APPROVED BY:              | DATE: 11-5-98  |
|   |                              |  |                           | PAGE: 1 OF 1   |
|   |                              |  |                           | SCALE: N/A   |