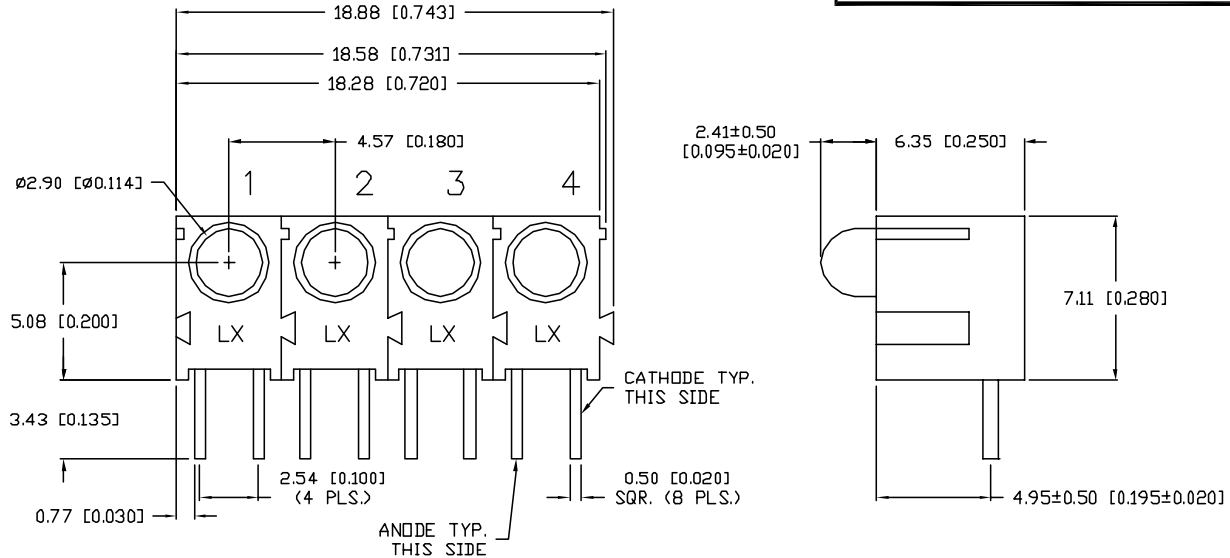


UNCONTROLLED DOCUMENT

PART NUMBER
SSF-LXHM10711G3D5V

REV.



ELECTRO-OPTICAL CHARACTERISTICS $T_A=25^{\circ}\text{C}$ $V_f=5\text{ V}$

PARAMETER	RED	GREEN	UNITS	TEST COND
PEAK WAVELENGTH	635	565	nm	
FORWARD VOLTAGE (TYP.)	5.0	5.0	V _f	
FORWARD VOLTAGE (MAX.)	7.0	7.0	V _f	
REVERSE VOLTAGE	5.0	5.0	V _r	I _f =100μA
AXIAL INTENSITY	5	6	mcd	V _f =5 V
VIEWING ANGLE	60	60	2x theta	
LED POSITION:	1	2~4		
EPOXY LENS FINISH: DIFFUSED SAME AS EMITTED COLOR				

NOTES:

- SSH-LXHM107 BLACK NYLON (94V-0) HOLDER. (4 PCS.)
- SSL-LX30441D-5V, RED LED. (1 PC.)
- SSL-LX3044GD-5V, GREEN LED. (3 PCS.)

LIMITS OF SAFE OPERATION AT 25°C

PARAMETER	COLORS	MAX	UNITS
FORWARD VOLTAGE		7.5	V
STEADY CURRENT		12	mA
POWER DISSIPATION		310	mW
DERATE FROM 25°C		0.7	mW/°C
OPERATING, STORAGE TEMP.		-40 TO +85	°C
SOLDERING TEMP.		+260	°C
2.0mm FROM BODY		3 SEC. MAX	

*UNLESS OTHERWISE SPECIFIED TOLERANCES PER DECIMAL PRECISION ARE: X=±1 (±0.039), XX=±0.5 (±0.020), XXX=±0.25 (±0.010), XXXX=±0.127 (±0.005). LEAD SIZE=±0.05 (±0.002), LEAD LENGTH=±0.75 (±0.030). MIN.=^{+0.00} DECIMAL PRECISION MAX.=^{+0.00} DECIMAL PRECISION

UNCONTROLLED DOCUMENT

REV.	PART NUMBER SSF-LXHM10711G3D5V	CONFIDENTIAL INFORMATION THE INFORMATION CONTAINED IN THIS DOCUMENT IS THE PROPERTY OF LUMEX INC. EXCEPT AS SPECIFICALLY AUTHORIZED IN WRITING BY LUMEX INC., THE HOLDER OF THIS DOCUMENT SHALL KEEP ALL INFORMATION CONTAINED HEREIN CONFIDENTIAL AND SHALL PROTECT SAME IN WHOLE OR IN PART FROM DISCLOSURE AND DISSEMINATION TO ALL THIRD PARTIES.	LUMEX INCORPORATED	290 E. HELLEN ROAD PALATINE, ILLINOIS 60067 PHONE: (847) 359-2790 WEB: http://www.lumex.com
T-3mm RIGHT ANGLE MATING HOLDER, POS.1: 635nm RED LED, RED DIFFUSED LENS, POS.2~4: 565nm GREEN LEDS, GREEN DIFFUSED LENS.		RELIABILITY NOTE OUR MANY YEARS OF EXPERIENCE DATA ACCUMULATION INDICATE THAT SOLDER HEAT IS A MAJOR CAUSE OF EARLY AND FUTURE FAILURE. PLEASE PAY ATTENTION TO YOUR SOLDERING PROCESS.	DRAWN BY: KS/BC	CHECKED BY:
			APPROVED BY:	DATE: 10.3.00
				PAGE: 1 OF 1
				SCALE: N/A