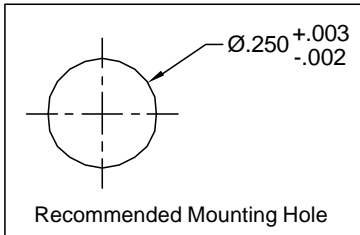
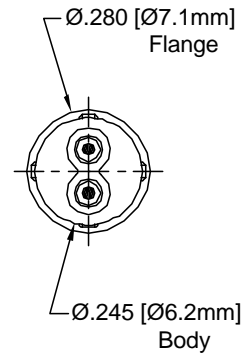
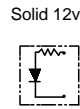
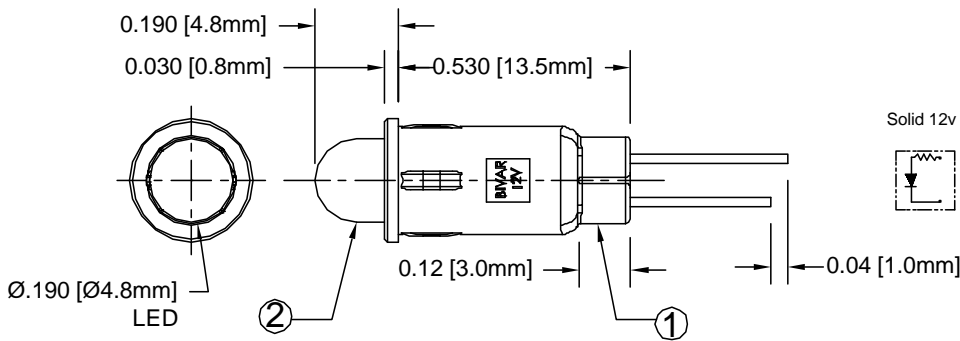
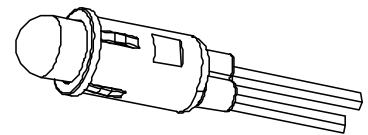


ITEM	QTY	PART NUMBER	PART DESCRIPTION
1	1	PM5-12V	LED Holder, Panel Mount, Press Fit, (5mm)
2	1	5XX12V	T-1¼ (5mm) Non-Flange LED, See Page 2.

REV.	DESCRIPTION	DATE	APPROVED
A	Engineering Release	02/01/05	M. C.



EXAMPLE:
PM5RD12V
 LED Color & Lens Appearance.
 Series




ABSOLUTE MAXIMUM RATINGS (Ta = 25°C)

REVERSE VOLTAGE	5V
REVERSE CURRENT (VR=5V)	100µA
OPERATING TEMPERATURE RANGE	-40°C ~ 85°C
STORAGE TEMPERATURE	-40°C ~ 100°C
LEAD SOLDERING TEMPERATURE (1/16" FROM BODY)	260°C for 5 Seconds

STANDARD TOLERANCE (UNLESS OTHERWISE SPECIFIED)		BIVAR®	
DECIMALS	ANGULAR	4 THOMAS, IRVINE, CA. 92618	
.X ±.1	X° ± 1°	TEL: (949) 951-8808	FAX: (949) 951-3974
.XX ±.02		TITLE: T-1 ¼ (5mm) PANEL MOUNT ASSEMBLY, 12V	
.XXX ±.010		DESIGNED: David Green	DATE: 02/01/05
		DESIGNED: David Green	DATE: 02/01/05
		CHECKED: T. Yin	DATE: 02/01/05
		PART NO: PM5XX12V	REVISION: A
		CAGE CODE: 32559	SHEET # 1 OF 2
		CAD GENERATED DOCUMENT. DO NOT MEASURE DRAWING.	

REV.	DESCRIPTION	DATE	APPROVED
	SEE SHEET#1.		

LED Assy. No.	Peak Wave Length λ_p (nm)	Emitted Color	Lens Appearance	Electro-Optical Data @ 12V				Viewing Angle $2\theta_{1/2}$ (Deg)	LED P/N
				If (mA)	Vf (V)		Iv (mcd)		
				TYP	TYP	MAX	TYP		
PM5GC12V	565	GREEN	WATER CLEAR	10	-	12.0	65.0	30	5GC12V
PM5GD12V	565	GREEN	DIFFUSED	10	-	12.0	35.0	45	5GD12V
PM5YC12V	585	YELLOW	WATER CLEAR	10	-	12.0	55.0	30	5YC12V
PM5YD12V	585	YELLOW	DIFFUSED	10	-	12.0	35.0	45	5YD12V
PM5HC12V	635	HE RED	WATER CLEAR	10	-	12.0	100.0	30	5HC12V
PM5HD12V	635	HE RED	DIFFUSED	10	-	12.0	35.0	45	5HD12V
PM5RC12V	700	RED	WATER CLEAR	10	-	12.0	18.0	30	5RC12V
PM5RD12V	700	RED	DIFFUSED	10	-	12.0	4.5	45	5RD12V

STANDARD TOLERANCE (UNLESS OTHERWISE SPECIFIED) <u>±10% ALL VALUES</u> <u>ANGULAR</u> X° ± 5°		 BIVAR [®] 4 THOMAS, IRVINE, CA. 92618 TEL: (949) 951-8808 FAX: (949) 951-3974	
DESIGNED: David Green		DATE: 02/01/05	TITLE: T-1 ¼ (5mm) PANEL MOUNT ASSEMBLY, 12V PART NO: PM5XX12V REVISION: A
CHECKED: T. Yin		DATE: 02/01/05	CAGE CODE : 32559 SHEET # 2 OF 2 <small>CAD GENERATED DOCUMENT. DO NOT MEASURE DRAWING.</small>