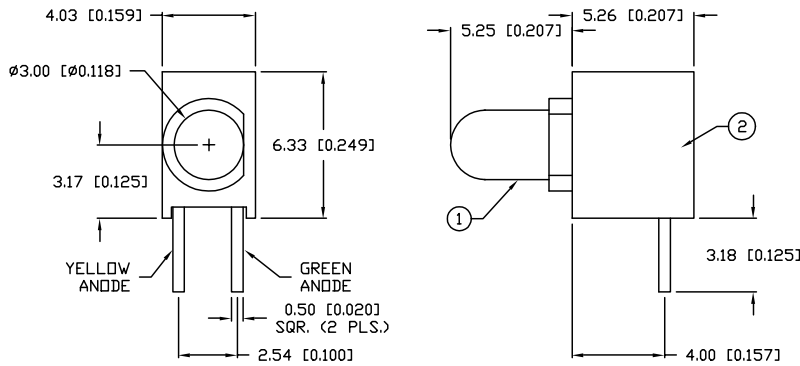


UNCONTROLLED DOCUMENT

PART NUMBER
SSF-LXH303-54YGW

REV.



NOTES:

1. SSL-LX3054YGW, BI-COLOR YELLOW/GREEN LED.
2. SSH-LXH303 HOLDER, BLACK NYLON, UL 94V-0.

ELECTRO-OPTICAL CHARACTERISTICS $T_A=25^\circ\text{C}$ $I_f=20\text{mA}$				
PARAMETER	MIN	TYP	MAX	UNITS TEST COND
PEAK WAVELENGTH		585 (YELLOW) 565 (GREEN)		nm
FORWARD VOLTAGE (Y/G)		2.1/2.2	2.5/2.6	V_f
REVERSE VOLTAGE	5.0			V_r $I_f=100\mu\text{A}$
AXIAL INTENSITY		20		mcd $I_f=20\text{mA}$
VIEWING ANGLE		60		$2x$ theta
EMITTED COLOR:	YELLOW/GREEN			
EPOXY LENS FINISH:	MILKY WHITE DIFFUSED			

LIMITS OF SAFE OPERATION AT 25°C			
PARAMETER	COLORS	MAX	UNITS
PEAK FORWARD CURRENT*		150	mA
STEADY CURRENT	(Y/G)	30/25	mA
POWER DISSIPATION		105	mW
DERATE FROM 25°C		-1.6	$\text{mW}/^\circ\text{C}$
OPERATING, STORAGE TEMP.		-40 TO +85	$^\circ\text{C}$
SOLDERING TEMP.		+260	$^\circ\text{C}$
2.0mm FROM BODY			3 SEC. MAX

* $t < 10\mu\text{s}$

*UNLESS OTHERWISE SPECIFIED TOLERANCES PER DECIMAL PRECISION ARE: X=±1 (±0.039), X.X=±0.5 (±0.020), X.XX=±0.25 (±0.010), X.XXX=±0.127 (±0.005). LEAD SIZE=±0.05 (±0.002), LEAD LENGTH=±0.75 (±0.030), MIN=+DECIMAL PRECISION MAX.=+0.00 -DECIMAL PRECISION

UNCONTROLLED DOCUMENT

REV.	PART NUMBER SSF-LXH303-54YGW	CONFIDENTIAL INFORMATION THE INFORMATION CONTAINED IN THIS DOCUMENT IS THE PROPERTY OF LUMEX INC. EXCEPT AS SPECIFICALLY AUTHORIZED IN WRITING BY LUMEX INC., THE HOLDER OF THIS DOCUMENT SHALL KEEP ALL INFORMATION CONTAINED HEREIN CONFIDENTIAL AND SHALL PROTECT SAME IN WHOLE OR IN PART FROM DISCLOSURE AND DISSEMINATION TO ALL THIRD PARTIES.	LUMEX INCORPORATED	290 E. HELLEN ROAD PALATINE, ILLINOIS 60067 PHONE: (847) 359-2790 WEB: http://www.lumex.com
T-3mm (T-1) LED FAULT INDICATOR, BI-COLOR 585nm YELLOW/565nm GREEN, MILKY WHITE DIFFUSED.		RELIABILITY NOTE OUR MANY YEARS OF EXPERIENCE DATA ACCUMULATION INDICATE THAT SOLDER HEAT IS A MAJOR CAUSE OF EARLY AND FUTURE FAILURE. PLEASE PAY ATTENTION TO YOUR SOLDERING PROCESS.	DRAWN BY: SK	CHECKED BY:
			APPROVED BY:	DATE: 4-17-00
				PAGE: 1 OF 1
				SCALE: N/A