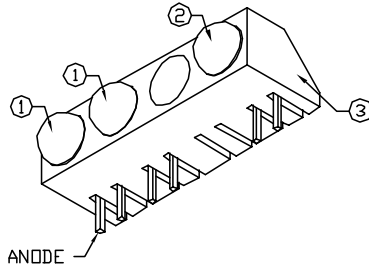
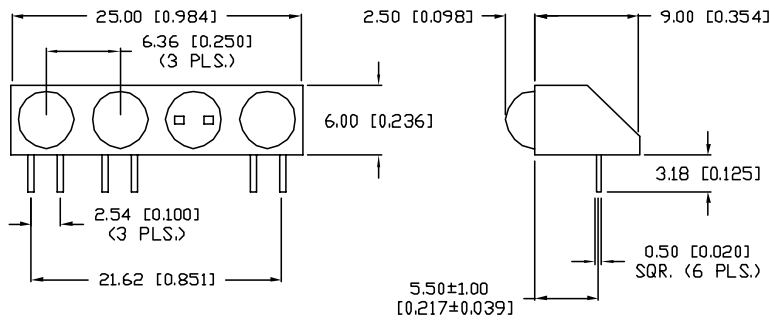


UNCONTROLLED DOCUMENT

PART NUMBER  
SSF-LXH4002GDX1ID

REV.



ELECTRO-OPTICAL CHARACTERISTICS  $T_A=25^{\circ}\text{C}$   $I_f=20\text{mA}$

PARAMETER	GREEN	RED	UNITS	TEST COND
PEAK WAVELENGTH	565	635	nm	
FORWARD VOLTAGE (TYP.)	2.2	2.0	$V_f$	
FORWARD VOLTAGE (MAX.)	2.6	2.5	$V_f$	
REVERSE VOLTAGE	5.0	5.0	$V_r$	$I_f=100\mu\text{A}$
AXIAL INTENSITY	30	30	mcd	$I_f=20\text{mA}$
VIEWING ANGLE	60	60	2x theta	
LED POSITION:	1,2	4		

EPOXY LENS FINISH: DIFFUSED SAME AS EMITTED COLOR

LIMITS OF SAFE OPERATION AT  $25^{\circ}\text{C}$

PARAMETER	COLORS	MAX	UNITS
PEAK FORWARD CURRENT*		150	mA
STEADY CURRENT	(R/G)	30/25	mA
POWER DISSIPATION		105	mW
DERATE FROM $25^{\circ}\text{C}$		-1.2	$\text{mW}/^{\circ}\text{C}$
OPERATING, STORAGE TEMP.		-40 TO +85	$^{\circ}\text{C}$
SOLDERING TEMP.		+260	$^{\circ}\text{C}$
2.0mm FROM BODY			3 SEC. MAX


\*  $t < 10\mu\text{s}$

NOTES:

1. SSL-LX507F36D, GREEN LED. (2 PCS.)
2. SSL-LX507F31D, RED LED. (1 PC.)
3. SSH-LXH400 HOLDER, BLACK.
4. PACKAGE PARTS IN ANTISTATIC TUBES.

UNCONTROLLED DOCUMENT

\*UNLESS OTHERWISE SPECIFIED TOLERANCES PER DECIMAL PRECISION ARE: X=±1 (±0.039), XX=±0.5 (±0.020), XXX=±0.25 (±0.010), XXXX=±0.127 (±0.005). LEAD SIZE=±0.05 (±0.002), LEAD LENGTH=±0.75 (±0.030). MIN= +DECIMAL PRECISION -0.00 MAX.= +0.00 -DECIMAL PRECISION

REV.	PART NUMBER SSF-LXH4002GDX1ID	CONFIDENTIAL INFORMATION THE INFORMATION CONTAINED IN THIS DOCUMENT IS THE PROPERTY OF LUMEX INC. EXCEPT AS SPECIFICALLY AUTHORIZED IN WRITING BY LUMEX INC., THE HOLDER OF THIS DOCUMENT SHALL KEEP ALL INFORMATION CONTAINED HEREIN CONFIDENTIAL AND SHALL PROTECT SAME IN WHOLE OR IN PART FROM DISCLOSURE AND DISSEMINATION TO ALL THIRD PARTIES.		290 E. HELEN ROAD PALATINE, IL 60067-6976 PHONE: +1.847.359.2790 US WEB: www.lumex.com TW WEB: www.lumex.com.tw
T-5mm SINGLE LEVEL QUAD FAULT INDICATOR, 565nm GREEN AND 635nm RED LED, COLOR DIFFUSED PER LED.		RELIABILITY NOTE OUR MANY YEARS OF EXPERIENCE DATA ACCUMULATION INDICATE THAT SOLDER HEAT IS A MAJOR CAUSE OF EARLY AND FUTURE FAILURE. PLEASE PAY ATTENTION TO YOUR SOLDERING PROCESS.	DRAWN BY: BC	CHECKED BY:
			APPROVED BY:	DATE: 11.16.02 PAGE: 1 OF 1 SCALE: N/A