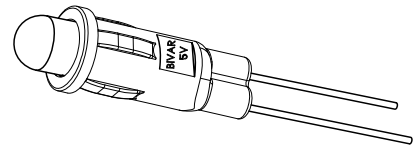
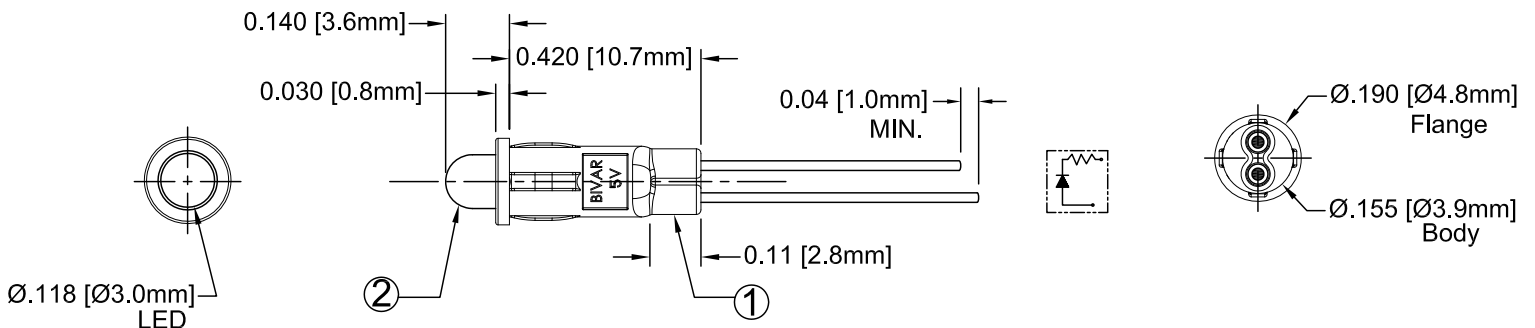



ITEM	Q'TY	PART NUMBER	PART DESCRIPTION
1	1	PM3-5V	5V LED Holder, Panel Mount, Press Fit, (3mm)
2	1	3XX5V-S	T-1 (3mm) Shouldered, 5 Volt.

REV.	DESCRIPTION	DATE	APPROVED
A	Engineering Release	07/26/07	M. C.
B	Updated Holder	10/23/08	T. Y.
C	Updated -S LEDs	11/19/08	T. Y.




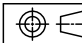
ABSOLUTE MAXIMUM RATINGS (Ta = 25°C)

REVERSE CURRENT (VR=5V)	100µA
OPERATING TEMPERATURE RANGE	-25°C ~ 85°C
STORAGE TEMPERATURE	-30°C ~ 100°C
LEAD SOLDERING TEMPERATURE (1/16" FROM BODY)	260°C for 5 Seconds

STANDARD TOLERANCE (UNLESS OTHERWISE SPECIFIED)		 BIVAR [®] 4 THOMAS, IRVINE, CA, 92618 TEL: (949) 951-8808 FAX: (949) 951-3974	
DECIMALS	ANGULAR		
.X ±.1	X° ± 1°	TITLE: T-1 (3mm) PANEL MOUNT ASSEMBLY	
.XX ±.02			
.XXX ±.010		PART NO: PM3XX5V	
DESIGNED: Dan Beckman	DATE: 07/26/07	REVISION: C	
CHECKED: T. Yin	DATE: 07/26/07	CAGE CODE : 32559	SHEET # 1 OF 2
CAD GENERATED DOCUMENT, DO NOT MEASURE DRAWING.			

REV.	DESCRIPTION	DATE	APPROVED
	SEE SHEET#1.		

LED Assembly No.	Chip			Lens Appearance	Absolute Max. Ratings		Electro-Optical Data @ 5V		Viewing Angle 2 θ 1/2 (Deg)	LED Part No.
	Material	Peak Wave Length λ_p (nm)	Emitted Color		If (mA)	Peak If(mA)	Vf (V)	Iv (mcd)		
							MAX	TYP		
PM3BWD5V	GaN/SiC	430	BLUE	DIFFUSED	8	12	5.0	8	40	3BWD5V-S
PM3GC5V	GaP/GaP	568	GREEN	WATER CLEAR	8	12	5.0	40	30	3GC5V-S
PM3GD5V	GaP/GaP	568	GREEN	DIFFUSED	8	12	5.0	25	40	3GD5V-S
PM3GT5V	GaP/GaP	568	GREEN	TINTED	8	12	5.0	40	30	3GT5V-S
PM3YC5V	GaAsP/GaP	590	YELLOW	WATER CLEAR	8	12	5.0	40	30	3YC5V-S
PM3YD5V	GaAsP/GaP	590	YELLOW	DIFFUSED	8	12	5.0	20	40	3YD5V-S
PM3YT5V	GaAsP/GaP	590	YELLOW	TINTED	8	12	5.0	40	30	3YT5V-S
PM3AC5V	GaAsP/GaP	605	AMBER	WATER CLEAR	8	12	5.0	40	30	3AC5V-S
PM3AD5V	GaAsP/GaP	605	AMBER	DIFFUSED	8	12	5.0	25	40	3AD5V-S
PM3AT5V	GaAsP/GaP	605	AMBER	TINTED	8	12	5.0	40	30	3AT5V-S
PM3HC5V	GaAsP/GaP	625	HE RED	WATER CLEAR	8	12	5.0	50	30	3HC5V-S
PM3HD5V	GaAsP/GaP	625	HE RED	DIFFUSED	8	12	5.0	30	40	3HD5V-S
PM3HT5V	GaAsP/GaP	625	HE RED	TINTED	8	12	5.0	50	30	3HT5V-S
PM3RC5V	GaAsP/GaP	700	RED	WATER CLEAR	8	12	5.0	6	30	3RC5V-S
PM3RD5V	GaAsP/GaP	700	RED	DIFFUSED	8	12	5.0	2	40	3RD5V-S
PM3RT5V	GaAsP/GaP	700	RED	TINTED	8	12	5.0	6	30	3RT5V-S

STANDARD TOLERANCE (UNLESS OTHERWISE SPECIFIED) <small>±10% ALL VALUES ANGULAR</small>		 4 THOMAS, IRVINE, CA, 92618 TEL: (949) 951-8808 FAX: (949) 951-3974	
			
DESIGNED: Dan Beckman	DATE: 07/26/07	PART NO: PM3XX5V	
CHECKED: T. Yin	DATE: 07/26/07	CAGE CODE : 32559	SHEET # 2 OF 2
CAD GENERATED DOCUMENT. DO NOT MEASURE DRAWING.			