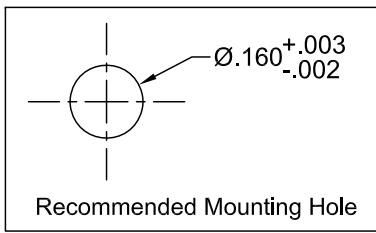
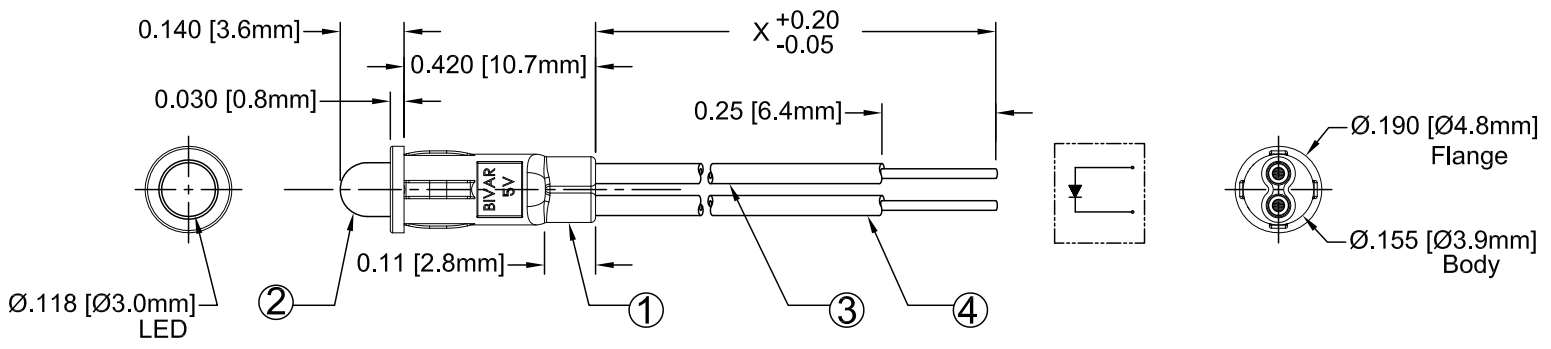
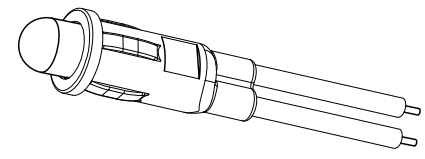


| ITEM | Q'TY | PART NUMBER | PART DESCRIPTION |
|------|------|---------------|--|
| 1 | 1 | PM3-5V | 5V LED Holder, Panel Mount, Press Fit, (3mm) |
| 2 | 1 | 3XX5V | T-1 (3mm) Non-Flange LED, 5 Volt |
| 3 | 1 | BWS24-1061-RD | 24AWG Wire Lead U.L. 1061, Red |
| 4 | 1 | BWS24-1061-BK | 24AWG Wire Lead U.L. 1061, Black |

| REV. | DESCRIPTION | DATE | APPROVED |
|------|-----------------------|----------|----------|
| A | Engineering Release | 07/26/07 | M. C. |
| B | Specification Upgrade | 07/08/08 | M. C. |
| C | Updated PM3-5V Holder | 07/11/08 | M. C. |



EXAMPLE:
PM3RD5VW6.5*
 Wire Length "X"
 5 Volt Internal Resistor
 LED Color & Lens Appearance.
 Series





ABSOLUTE MAXIMUM RATINGS (Ta = 25°C)

| | |
|--|---------------------|
| REVERSE VOLTAGE | 5V |
| REVERSE CURRENT (VR=5V) | 100µA |
| OPERATING TEMPERATURE RANGE | -25°C ~ 85°C |
| STORAGE TEMPERATURE | -30°C ~ 100°C |
| LEAD SOLDERING TEMPERATURE (1/16" FROM BODY) | 260°C for 5 Seconds |

| | | | | | |
|---|---------|--|--------------------------|--------------------------------|------------------------------|
| STANDARD TOLERANCE (UNLESS OTHERWISE SPECIFIED) | | 4 THOMAS, IRVINE, CA, 92618 TEL: (949) 951-8808 FAX: (949) 951-3974 | | | |
| DECIMALS | ANGULAR | | | | |
| .X ±.1 | X° ± 1° | TITLE: T-1 (3mm) PANEL MOUNT ASSEMBLY | | | |
| .XX ±.02 | | | | | |
| .XXX ±.010 | | DESIGNED: Dan Beckman | DATE: 07/26/07 | PART NO: PM3XX5VWX.X | REVISION: C |
| CHECKED: T. Yin | | DATE: 07/26/07 | | CAGE CODE : 32559 | SHEET # 1 OF 2 |
| CAD GENERATED DOCUMENT, DO NOT MEASURE DRAWING. | | | | | |

| REV. | DESCRIPTION | DATE | APPROVED |
|------|--------------|------|----------|
| | SEE SHEET#1. | | |

| LED Part No. | Chip | | | Lens Appearance | Absolute Max. Ratings | | Electro-Optical Data @ 5V | | Viewing Angle 2 θ $\frac{1}{2}$ (Deg) | LED P/N |
|--------------|-----------|--------------------------------------|---------------|-----------------|-----------------------|-------------|---------------------------|-------------|--|---------|
| | Material | Peak Wave Length λ_p (nm) | Emitted Color | | If (mA) | Peak If(mA) | Vf (V) | Iv (mcd) | | |
| | | | | | | | MAX | TYP | | |
| PM3AC5VWX.X | GaAsP/GaP | 610 | AMBER | WATER CLEAR | 8 | 12 | 5.0 | 125.0 | 20 | 3AC5V |
| PM3AD5VWX.X | GaAsP/GaP | 610 | AMBER | DIFFUSED | 8 | 12 | 5.0 | 60.0 | 45 | 3AD5V |
| PM3AT5VWX.X | GaAsP/GaP | 610 | AMBER | TINTED | 8 | 12 | 5.0 | 125.0 | 20 | 3AT5V |
| PM3BWD5VWX.X | GaN/SiC | 468 | BLUE | DIFFUSED | 8 | 12 | 5.0 | 500.0 | 35 | 3BWD5V |
| PM3GC5VWX.X | GaP/GaP | 565 | GREEN | WATER CLEAR | 8 | 12 | 5.0 | 75.0 | 20 | 3GC5V |
| PM3GD5VWX.X | GaP/GaP | 565 | GREEN | DIFFUSED | 8 | 12 | 5.0 | 25.0 | 45 | 3GD5V |
| PM3GT5VWX.X | GaP/GaP | 565 | GREEN | TINTED | 8 | 12 | 5.0 | 75.0 | 20 | 3GT5V |
| PM3HC5VWX.X | GaAsP/GaP | 635 | HE RED | WATER CLEAR | 8 | 12 | 5.0 | 190.0 | 20 | 3HC5V |
| PM3HD5VWX.X | GaAsP/GaP | 635 | HE RED | DIFFUSED | 8 | 12 | 5.0 | 50.0 | 45 | 3HD5V |
| PM3HT5VWX.X | GaAsP/GaP | 635 | HE RED | TINTED | 8 | 12 | 5.0 | 190.0 | 20 | 3HT5V |
| PM3RC5VWX.X | GaAsP/GaP | 700 | RED | WATER CLEAR | 8 | 12 | 5.0 | 35.0 | 20 | 3RC5V |
| PM3RD5VWX.X | GaAsP/GaP | 700 | RED | DIFFUSED | 8 | 12 | 5.0 | 15.0 | 45 | 3RD5V |
| PM3RT5VWX.X | GaAsP/GaP | 700 | RED | TINTED | 8 | 12 | 5.0 | 35.0 | 20 | 3RT5V |
| PM3YC5VWX.X | GaAsP/GaP | 585 | YELLOW | WATER CLEAR | 8 | 12 | 5.0 | 60.0 | 20 | 3YC5V |
| PM3YD5VWX.X | GaAsP/GaP | 585 | YELLOW | DIFFUSED | 8 | 12 | 5.0 | 20.0 | 45 | 3YD5V |
| PM3YT5VWX.X | GaAsP/GaP | 585 | YELLOW | TINTED | 8 | 12 | 5.0 | 60.0 | 20 | 3YT5V |

| | | | |
|---|--------------------------|--|-----------------------|
| STANDARD TOLERANCE (UNLESS OTHERWISE SPECIFIED) <small>±10% ALL VALUES</small> | |  BIVAR [®] 4 THOMAS, IRVINE, CA, 92618 TEL: (949) 951-8808 FAX: (949) 951-3974 | |
| ANGULAR X° ± 5° | | | |
|  | | TITLE: T-1 (3mm) Panel Mount Assembly | |
| DESIGNED: Dan Beckman | DATE: 07/26/07 | PART NO: PM3XX5VWX.X | REVISION: C |
| CHECKED: T. Yin | DATE: 07/26/07 | CAGE CODE : 32559 | SHEET # 2 OF 2 |
| CAD GENERATED DOCUMENT, DO NOT MEASURE DRAWING. | | | |