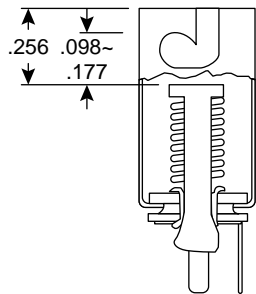
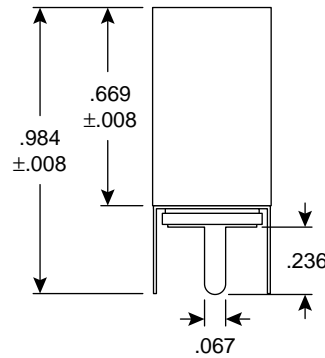


Bottom View

Dimensions (In.)



Cut-Away View



Front View

Specifications:

- Power rating: 5W max.
- Withstand voltage: 1500VAC
- Insulation resistance: 100MΩ @ 500VDC
- Socket, contact rivet, terminals: nickel plated brass
- Spring: piano wire
- Insulating washers: Bakelite
- Eyelet: brass