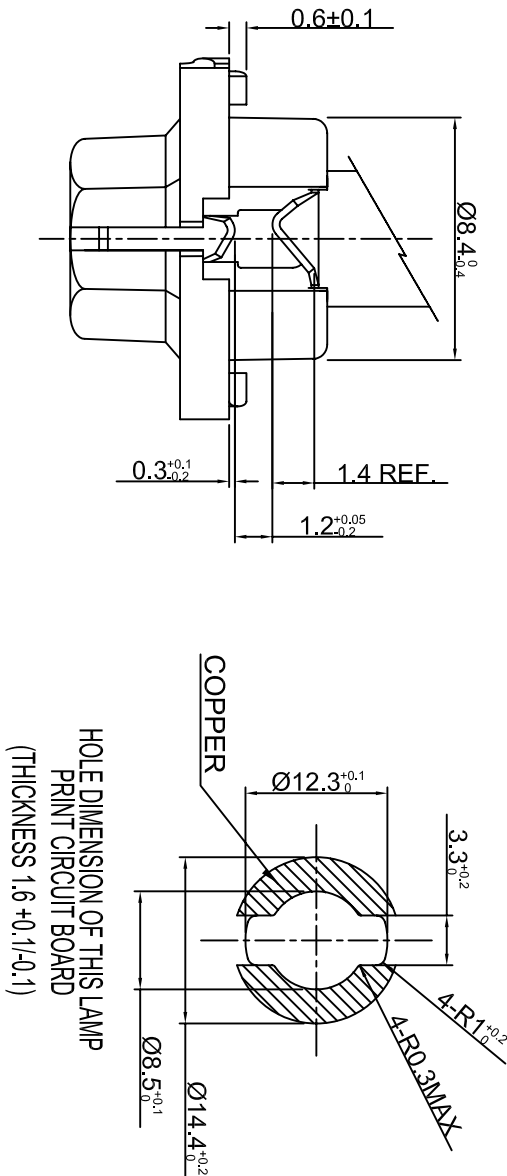
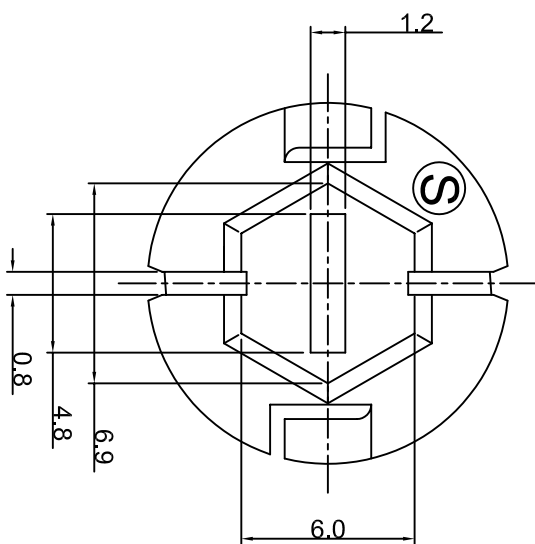
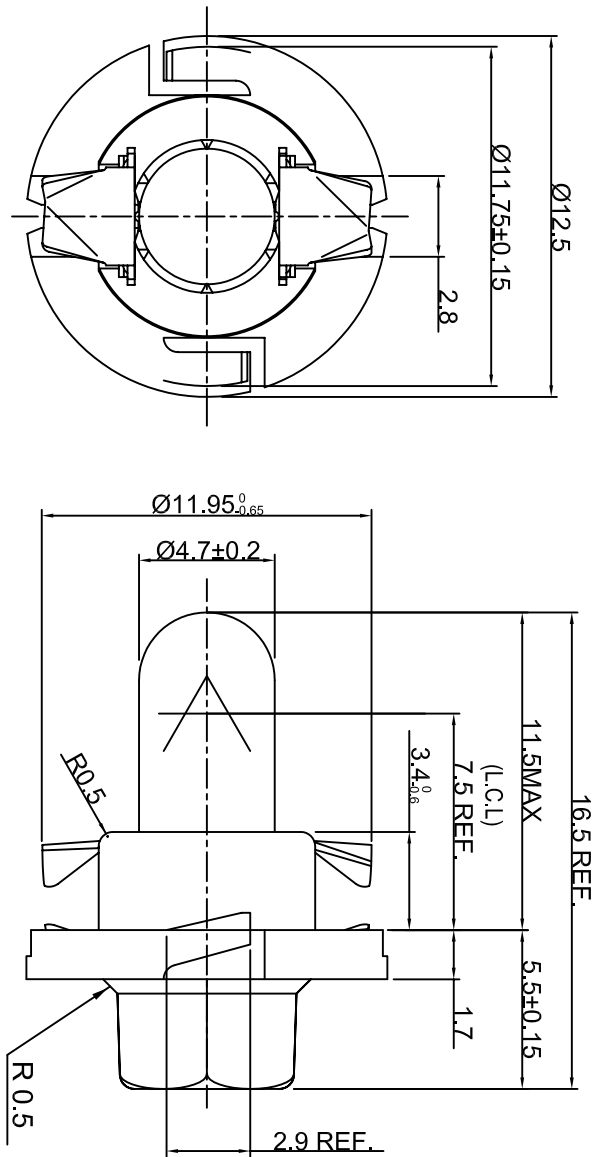


REV.	DESCRIPTION/ECO NO.	DATE
	RELEASED & CANCEL P-0011-01	4/16/01
A	DIMENSION CHANGES	4/27/01
B	DIMENSION CHANGES	4/26/02
C	CHANGE TO LEAD (Pb) FREE	12/10/04



*LAMP RATING ONLY WITHOUT BASE
 **LAMP GLASS LEAD (Pb) FREE
 ***LAMP AND SOCKET ASSEMBLY LEAD (Pb) FREE
 CONTACT JKL FOR LEAD (Pb) FREE LOT IDENTIFICATION

LAMP NUMBER: EW87**						
VOLTS RATED	AMPS $\pm 10\%$	WATTS	*MSCP $\pm 25\%$	*LUMENS $\pm 25\%$	AVERAGE LIFE HRS.	FILAMENT TYPE
14.0	.140	1.96	.95	12.0	7,000 DC	C-2V

BASE COLOR: BLACK

JKL PART NO.: WWT2-EW87/BLA***

JKL COMPONENTS CORPORATION

WIRE TERMINAL LAMP IN BASE

TITLE

METRIC	DIMENSIONS ARE IN MILLIMETERS
THIRD ANGLE PROJECTION	TOLERANCE UNLESS OTHERWISE SPECIFIED
	1 PL +/- 0.2
	2 PL +/- 0.20
	ANGLE +/- 0

DRAWN BY	APPR'D BY	DATE	SIZE	FCGM NO.	DRAWING NO.	RELEASED DATE	REVISION DATE	SHEET	REV.
L. WENGSTROM	J. KAHL	12/10/04	A	55335	WWT2-EW87/BLA	4/16/01	12/10/04	1	C
- CAD DRAWING -		MANUAL REVISIONS NOT PERMITTED		SCALE	NONE	DATE	DATE	1	OF 1