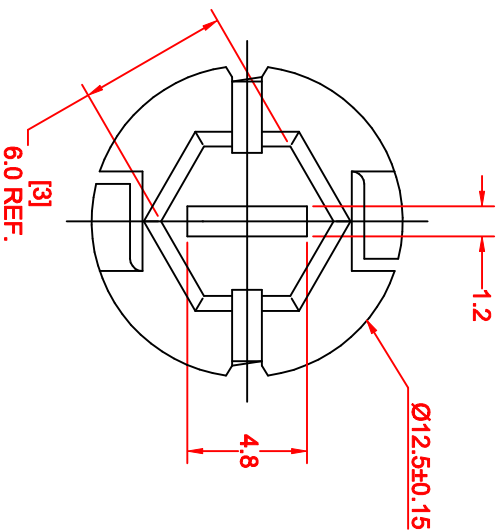
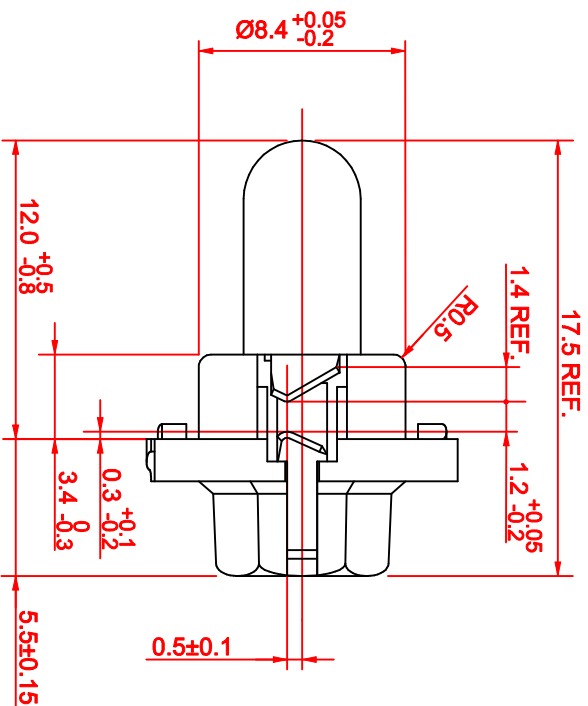
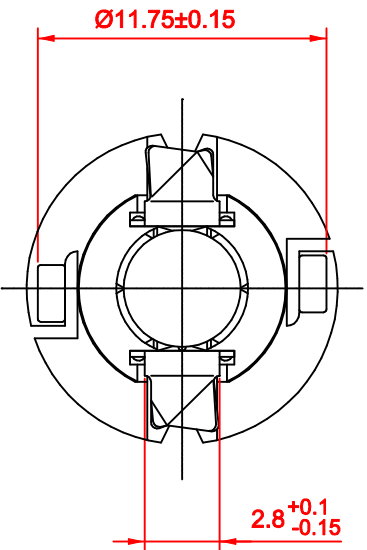
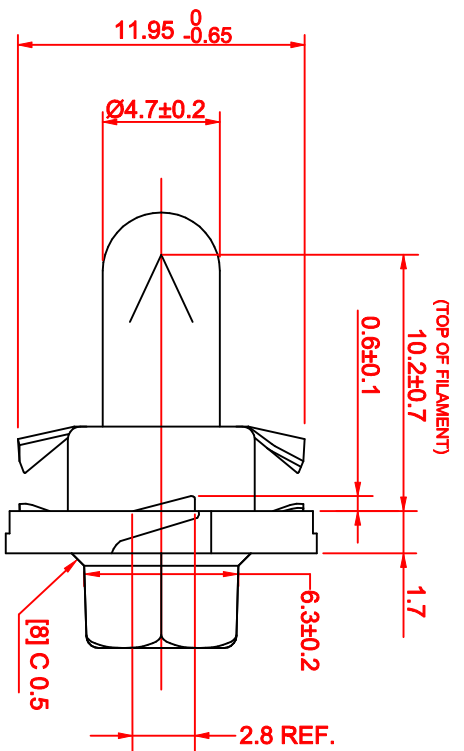
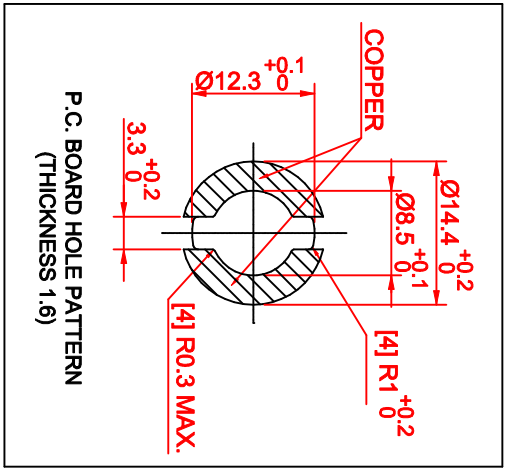


REV.	DESCRIPTION/ECO NO.	DATE
A	RELEASE & CANCEL P-0212-08 MECHANICAL CHANGE	2/11/03 2/20/03



JKL PART NO.: WWT2-EW34/BLA

LAMP NUMBER: EW34						
VOLTS RATED	AMPS $\pm 10\%$	WATTS	*MSCP $\pm 25\%$	*LUMENS $\pm 25\%$	AVERAGE LIFE HRS.	FILAMENT TYPE
14.0	.127	1.78	.700	8.79	7,000 DC	C-2V

\*LAMP RATING ONLY WITHOUT BASE

BASE COLOR: BLACK

METRIC		DIMENSIONS ARE IN MILLIMETERS		TITLE	
THIRD ANGLE PROJECTION	ANGLE $\pm 0$	TOLERANCE UNLESS OTHERWISE SPECIFIED	1 PL $\pm 0.3$	JKL COMPONENTS CORPORATION	
2 PL $\pm 0$	DATE	SCALE	SIZE	WIRE TERMINAL LAMP IN BASE	
L. WENGSTROM	J. KAHL	A	55335	JKL COMPONENTS CORPORATION	
APPRD BY	DATE	SCALE	SIZE	WIRE TERMINAL LAMP IN BASE	
2/20/03	2/20/03	NONE	A	JKL COMPONENTS CORPORATION	
- CAD DRAWING -		SCALE	SIZE	WIRE TERMINAL LAMP IN BASE	
MANUAL REVISIONS NOT PERMITTED		NONE	A	JKL COMPONENTS CORPORATION	
FORM NO.	DRAWING NO.	RELEASED DATE	REVISION DATE	SHEET	
55335	WWT2-EW34/BLA	2/11/03	2/20/03	1 OF 1	
REV.	A	REV.			