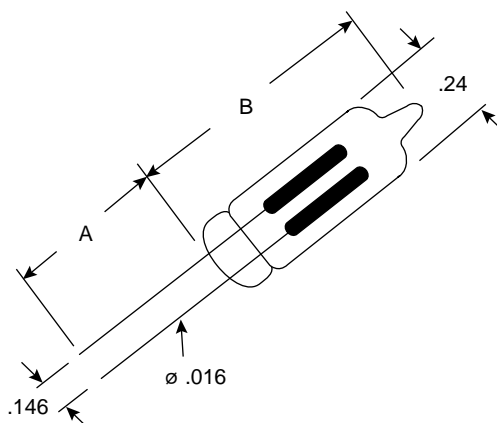


Dimensions (In.)



Electrical Specifications:

- Circuit voltage: 120VAC
- Max breakdown voltage: 95VAC / 135VDC
- Average life: 25,000 hrs
- High Brightness

Mouser Stock No.	Type	Nominal Current (mA)	Dimensions (In.)		Series Resistor
			A	B	
36NE004	A1C	1.20	1.18	.47	30KΩ @ 110V/100KΩ @ 220V
36NE005	NE-2H	1.20	1.18	.63	33KΩ @ 110V/100KΩ @ 220V