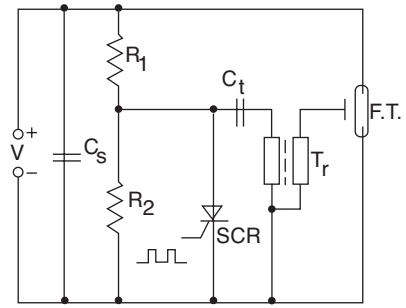


(a)



(b)

- V DC operating voltage
- C_s Energy storage capacitor
- R₁, R₂ Resistors used for dividing voltage
- C_T Trigger capacitor
- L Choke (required only when MP storage is used)
- T_r Trigger coil
- S Switch
- FT Flashtube

Dimensions (In.)

■ Specifications:

- Application: photographic(361-8538,36FT106);
signal & timing light(361-4425)

■ SPECIFICATIONS

Characteristics	361-4425	36FT106	361-8538
Anode~Cathode Voltage (V):	200 Min./300Typ./400 Max.	250 Min./300Typ./400 Max.	300 Min./400Typ./600 Max.
Energy per Flash max. (W):	- - -	30	50
Flashes w.max. input:	0.3~4 Rate / 3 x 10 ⁶ Nom. life	0.1 Rate / 3 x 10 ⁵ Nom. life	0.1 Rate / 3 x 10 ⁵ Nom. life
Trigger VO min. (KV):	4	6	6
Dimensions:	.394 - A / 1.26 - B / .236 - C	.531 - A / 1.50 - B / .236 - C	.669 - A / 1.97 - B / .315 - C