



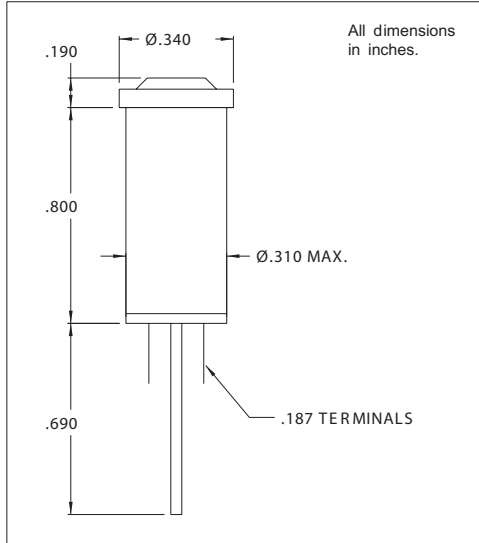
Chicago Miniature Lighting, LLC

Lighting the world since 1910

2195QA Series Non-Relampable
Incandescent Indicator Lights

2195QA Series Non-Relampable Incandescent Indicator Lights

DESCRIPTION AND FEATURES



Mounting: Ø.310 MIN., supplied with push-on speednut SN1287.

Terminals: Quick-connect, tinned brass

Lens: Polycarbonate

Bezel: White nylon. For black finish add "X" after the series letter(s).

Housing: White Nylon

Lens Color	Incandescent	
	Model No. 12V	Model No. 28V
Red	2195QA1-12V	2195QA1-28V
Amber	2195QA3-12V	2195QA3-28V
White	2195QA4-12V	2195QA4-28V
Green	2195QA5-12V	2195QA5-28V
Lamp	#2162	#2187

Underwriters Laboratories (UL) File No. E20325
Canadian Standards Association (CSA) File No. LR13346

Chicago Miniature Lamp reserves the right to make specification revisions that enhance the design and/or performance of the product

147 Central Avenue
Hackensack, NJ 07601
Phone: (201) 489-8989
Fax: (201) 489-6911

18703 Dix Toledo Road
Brownstown, MI 48193

Saret Zone Franca, Edificio B
Alajuela Costa Rica

E-mail: sales@chml.com • Web Site: www.chml.com

Chicago Miniature Lighting, LLC reserves the right to make specification revisions that enhance the design and/or performance of the product