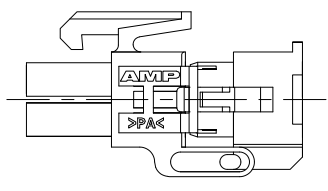
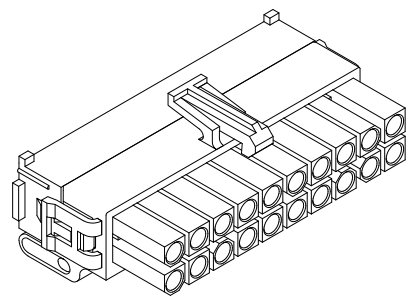
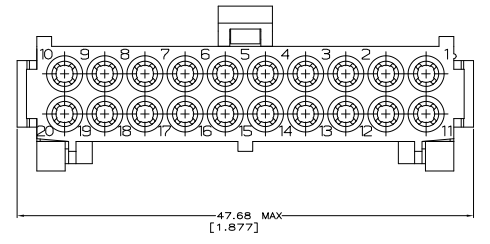
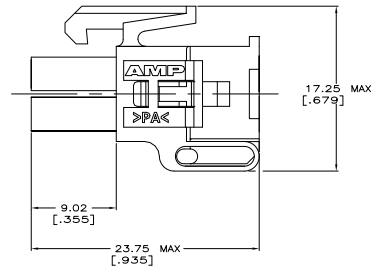
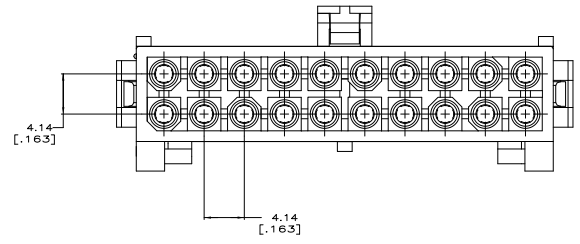


1 DIMENSIONS IN BRACKETS ARE IN INCHES.



PRE-STAGED CONDITION



3-DIMENSIONAL MODEL  
NTS

THIS DRAWING IS A CONTROLLED DOCUMENT.		DATE: 5-31-97	BY: BLITZAKER	REV: 5-31-97	794210-1 PART NUMBER
INCHES UNLESS OTHERWISE SPECIFIED		DATE: 5-31-97	BY: SIBING	REV: 5-31-97	Yesu Electronics Corporation Harrisburg, PA 17105-3608
DIMENSIONS: mm		DATE: 5-31-97	BY: OSTAD	REV: 5-31-97	PLUG, 20 CIRCUIT, MINI UNIVERSAL MATE-N-LOK
DRAWING: MIL-UN, ULTRA-5, MTRIAL		DATE: 5-31-97	BY: PAK	REV: 5-31-97	SIZE: DATE: 00779 (G)=794210 DRAWN TO: 1
		DATE: 5-31-97	BY: CUSTOMER DRAWING	REV: 5-31-97	REWORKED TO: C1