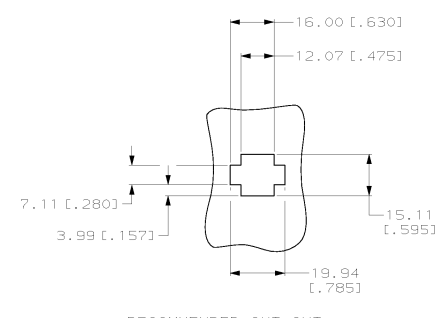
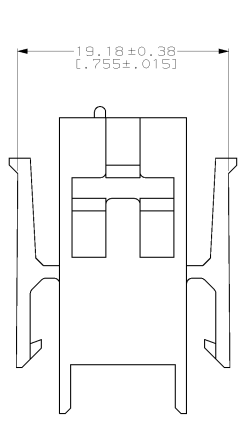
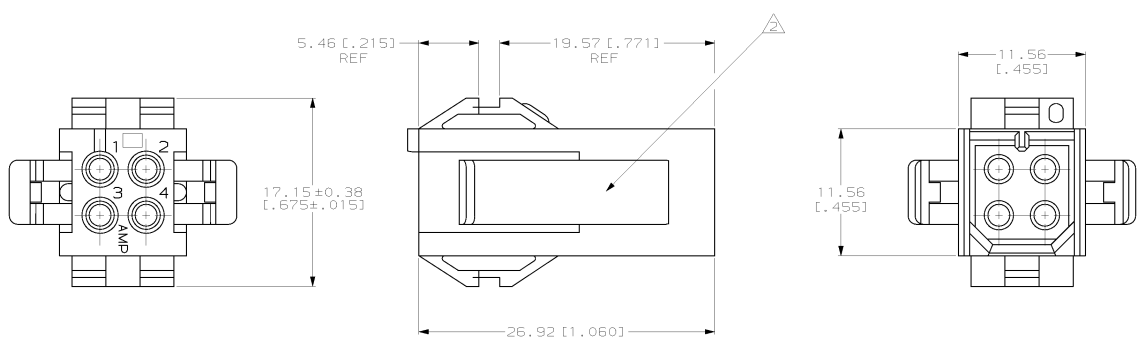


4 3 2 1

THIS DRAWING IS UNPUBLISHED. RELEASED FOR PUBLICATION  
 © COPYRIGHT 19 BY AMP INCORPORATED. ALL RIGHTS RESERVED.

REV	DATE	DESCRIPTION	DATE	BY	APP'D
CM	52				
F	LTR				
F	REV PER EC	0L30-0015-97	2-21-97	JH	RS

- MATES WITH HOUSING 640519.
- UL LOGO AND CSA LOGO TO APPEAR ON EITHER LATCH SURFACE PER AMP SPEC 202-20, I.D. NO. 1-18838-3 AND 1-18839-3. FROST BACKGROUND OPTIONAL.
- DIMENSIONS IN BRACKETS ARE IN INCHES.



RECOMMENDED CUT OUT  
 FOR 1.73 [0.068] MAX THICK PANEL  
 SCALE 1:1



1-640509-0  
 PART NUMBER

THIS DRAWING IS A CONTROLLED DOCUMENT		DR R. VESTAL 7-12-96	AMP AMP Incorporated Harrisburg, PA 17105-3608
		CHK S. SWING 7-12-96	
DIMENSIONS mm (INCHES)		APP'D A. BRIDGEMAN 7-12-96	NAME HOUSING, CAP MR11 4 POSITION
MATERIAL: NYLON, UL 94V-0, NATURAL (BRICK RED)		PRODUCT SPEC - APPLICATION SPEC - REPRINT -	SIZE A2100779
PART NUMBER 1-640509-0		SCALE 4:1	SHEET 1 OF 1
CUSTOMER DRAWING		REV F	

AMP 1471-9 REV 23FEB95  
 13:46:56 amp18726 /home/amp18726/Au/cm-13-15-97