

4

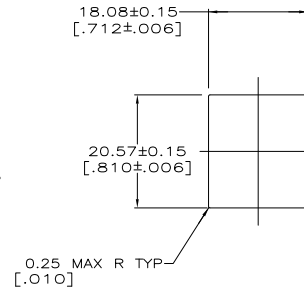
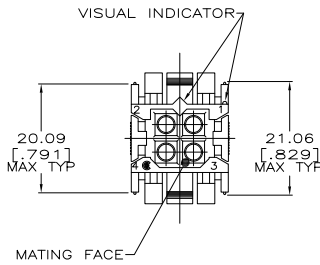
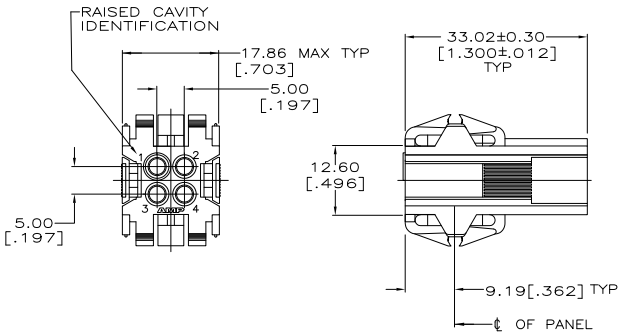
3

2

1

THIS DRAWING IS UNPUBLISHED. RELEASED FOR PUBLICATION  
 © COPYRIGHT - By - ALL RIGHTS RESERVED.

LOC	DIST	REVISIONS				
FT	0	F	LNK	DATE	BY	APPD
		S3	REVISED PER ECO-11-005027	12MAR11	RK	HMR



PANEL CUTOUT

- 1. PANEL RETENTION MECHANISM ACCOMMODATES PANEL THICKNESSES FROM 0.76[.030] TO 2.29[.090].
- △ SAME AS 207016-1 EXCEPT: ROUNDED EDGES ON THE OUTSIDE OF THE HOUSING AND A 45° ANGLE ON THE OUTSIDE OF THE HOUSING BY THE LOCKING LATCHES, REF 928096.
- △ OBSOLETE PARTS: OBSOLETE CIS STREAMLINING PER D.RENAUD/D.SINISI

△ OBSOLETE	△ 207016-2
	207016-1
	PART NUMBER

THIS DRAWING IS A CONTROLLED DOCUMENT.		DM W. LENKER 08/26/92		TE Connectivity
DIMENSIONS: mm [INCHES]		CHK. R. STONE 8-31-92		HOUSING, RECEPTACLE, 4 POSITION, METRIMATE
TOLERANCES UNLESS OTHERWISE SPECIFIED:		APPD. -	RESTRICTED TO	
0. PLG ± -	PRODUCT SPEC 108-10033	SIZE CAGE CODE DRAWING NO. A2 00779 C=207016		
1. PLG ± -	APPLICATION SPEC -	CUSTOMER DRAWING		
2. PLG ± 0.25 (.010)	WEIGHT -	SCALE 2:1 SHEET 1 of 1 REV S3		
3. PLG ± -				
4. PLG ± -				
ANGLES ± -				
FINISH -				
MATERIAL NYLON, COLOR: RED				

1471-9 (3/11)

207016

B

A