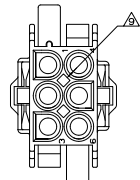
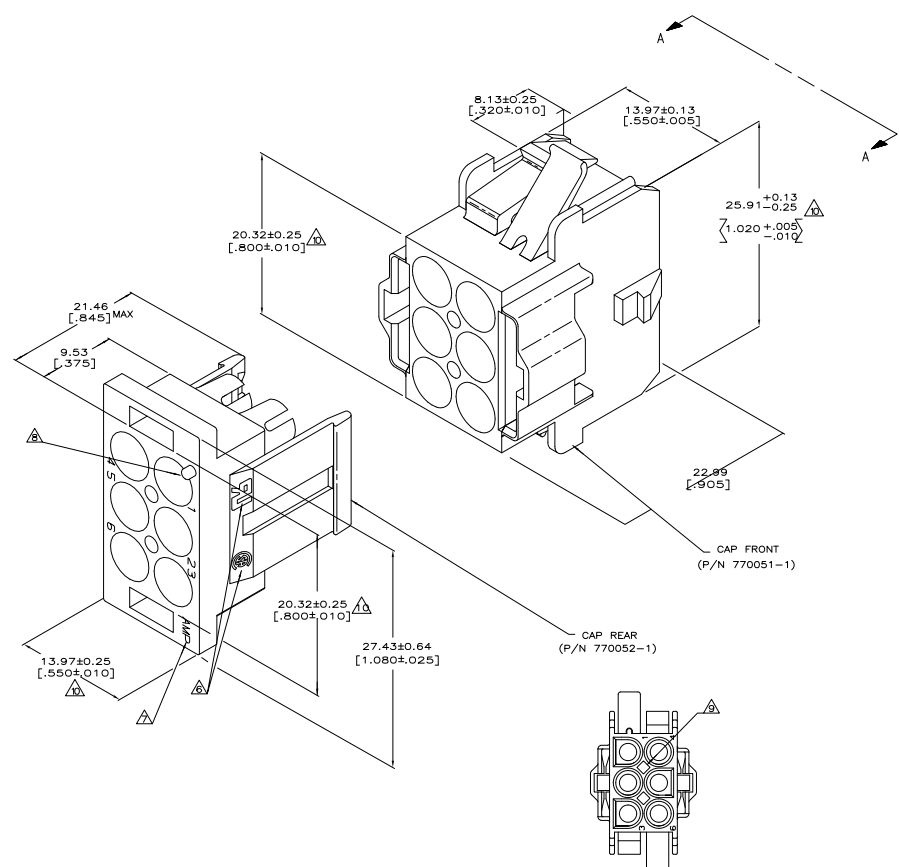


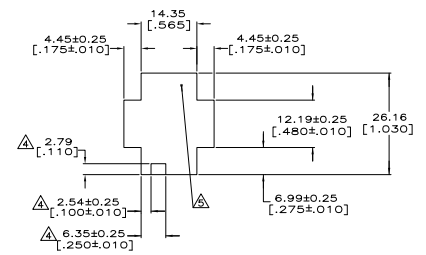
REV	DATE	DESCRIPTION	BY	CHK	APP
CM 5.3		REVISED PER ECO-11-005027			



VIEW A-A  
 SCALE 2:1



- BULK PACKAGED, UNASSEMBLED.
- RECOMMENDED PANEL THICKNESS 0.76-2.29 [.030-.090].
- PANEL MUST BE PUNCHED SO THAT THE HOUSING ENTERS THE PANEL IN THE SAME DIRECTION AS THE PUNCH.
- OPTIONAL FOR KEYING HOUSING IN PANEL.
- CIRCUIT NO. 1 LOCATOR.
- APPROVAL AGENCY LOGO LOCATED APPROXIMATELY AS SHOWN.
- AMP LOGO LOCATED THIS SURFACE.
- CIRCUIT NUMBER ONE IDENTIFICATION BUTTON AND CIRCUIT IDENTIFICATION NUMBERS ARE EACH LOCATED ADJACENT TO THE APPROPRIATE CIRCUIT CAVITIES.
- OPTIONAL CONSTRUCTION PROVIDES ROUND MATERIAL REDUCTION CORING HOLES.
- DIMENSION INDICATED IS AS MOLDED. ADDITIONAL GROWTH DUE TO SUBSEQUENT MOISTURE ABSORPTION MAY OCCUR.



RECOMMENDED PANEL CUTOUT  
 (HOUSING ENTRY SIDE)  
 SCALE 2:1

770027-1  
 PART NUMBER

THIS DRAWING IS A CONTROLLED DOCUMENT.		REV. SALMON 11-20-93	TE Connectivity	
DESIGNER	APPROVED	REV. SIBING 11-20-93	CAP HOUSING KIT, 6 CIRCUIT, UNIVERSAL MATE-IN-LOCK II	
HOLES	UNFINISHED SURFACES	REV. TRILL 11-20-93	SIZE	REVISED TO
1. HOLE	1. UNFINISHED SURFACES	REV. SIBING 11-20-93	A1	00779 (G=770027)
2. HOLE	2. UNFINISHED SURFACES	REV. SIBING 11-20-93	DATE	SIZE
3. HOLE	3. UNFINISHED SURFACES	REV. SIBING 11-20-93	11-20-93	5.1
4. HOLE	4. UNFINISHED SURFACES	REV. SIBING 11-20-93	1	1
5. HOLE	5. UNFINISHED SURFACES	REV. SIBING 11-20-93	1	1
6. HOLE	6. UNFINISHED SURFACES	REV. SIBING 11-20-93	1	1
7. HOLE	7. UNFINISHED SURFACES	REV. SIBING 11-20-93	1	1
8. HOLE	8. UNFINISHED SURFACES	REV. SIBING 11-20-93	1	1
9. HOLE	9. UNFINISHED SURFACES	REV. SIBING 11-20-93	1	1
10. HOLE	10. UNFINISHED SURFACES	REV. SIBING 11-20-93	1	1
11. HOLE	11. UNFINISHED SURFACES	REV. SIBING 11-20-93	1	1
12. HOLE	12. UNFINISHED SURFACES	REV. SIBING 11-20-93	1	1
13. HOLE	13. UNFINISHED SURFACES	REV. SIBING 11-20-93	1	1
14. HOLE	14. UNFINISHED SURFACES	REV. SIBING 11-20-93	1	1
15. HOLE	15. UNFINISHED SURFACES	REV. SIBING 11-20-93	1	1
16. HOLE	16. UNFINISHED SURFACES	REV. SIBING 11-20-93	1	1
17. HOLE	17. UNFINISHED SURFACES	REV. SIBING 11-20-93	1	1
18. HOLE	18. UNFINISHED SURFACES	REV. SIBING 11-20-93	1	1
19. HOLE	19. UNFINISHED SURFACES	REV. SIBING 11-20-93	1	1
20. HOLE	20. UNFINISHED SURFACES	REV. SIBING 11-20-93	1	1
21. HOLE	21. UNFINISHED SURFACES	REV. SIBING 11-20-93	1	1
22. HOLE	22. UNFINISHED SURFACES	REV. SIBING 11-20-93	1	1
23. HOLE	23. UNFINISHED SURFACES	REV. SIBING 11-20-93	1	1
24. HOLE	24. UNFINISHED SURFACES	REV. SIBING 11-20-93	1	1
25. HOLE	25. UNFINISHED SURFACES	REV. SIBING 11-20-93	1	1
26. HOLE	26. UNFINISHED SURFACES	REV. SIBING 11-20-93	1	1
27. HOLE	27. UNFINISHED SURFACES	REV. SIBING 11-20-93	1	1
28. HOLE	28. UNFINISHED SURFACES	REV. SIBING 11-20-93	1	1
29. HOLE	29. UNFINISHED SURFACES	REV. SIBING 11-20-93	1	1
30. HOLE	30. UNFINISHED SURFACES	REV. SIBING 11-20-93	1	1