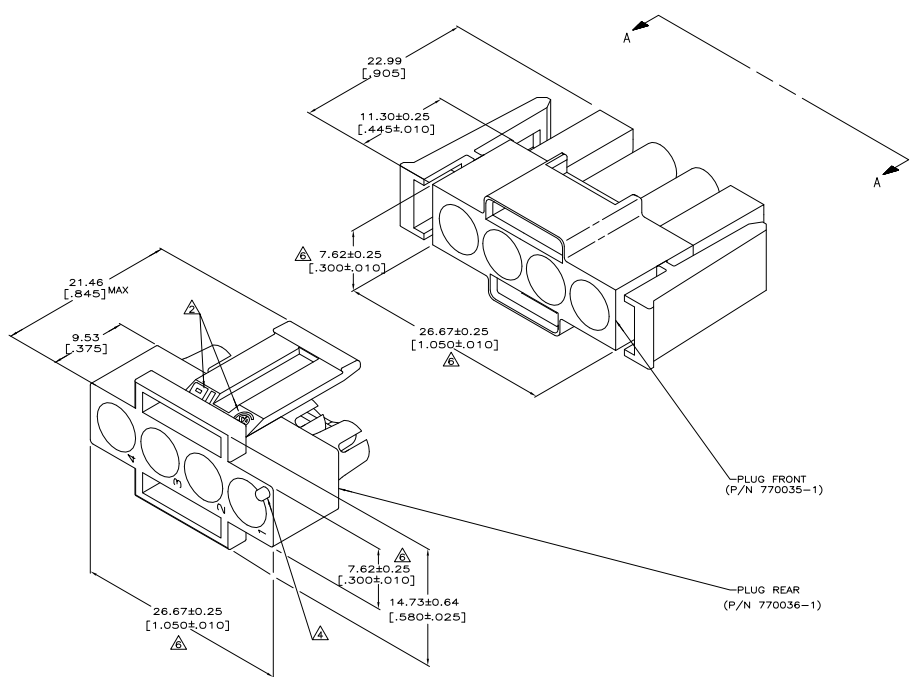
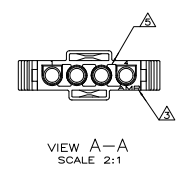


THIS DRAWING IS UNPUBLISHED  
 ALL RIGHTS RESERVED

REV	DATE	DESCRIPTION	BY	APP
CM 5.3	ET	REVISED PER ECO-11-004917	11MMR11	RK HMR



- BULK PACKAGED, UNASSEMBLED.
- APPROVAL AGENCY LOGO LOCATED APPROXIMATELY AS SHOWN.
- AMP LOGO LOCATED THIS SURFACE.
- CIRCUIT NUMBER ONE IDENTIFICATION BUTTON AND CIRCUIT IDENTIFICATION NUMBERS ARE EACH LOCATED ADJACENT TO THE APPROPRIATE CIRCUIT CAVITIES.
- NEW MOLD CONSTRUCTION PROVIDES MATERIAL REDUCTION CORING AT BASE OF SILOS WITH NO CORING AS OPTIONAL.
- DIMENSION INDICATED IS AS MOLDED. ADDITIONAL GROWTH DUE TO SUBSEQUENT MOISTURE ABSORPTION MAY OCCUR.



770019-1  
 PART NUMBER  
 PART NO



THIS DRAWING IS A CONTROLLED DOCUMENT.		BY: SALMON 1-28-92	DATE		TE Connectivity
CHECKED: M. SMITH 1-28-92		DATE	DATE		PLUG HOUSING KIT, 4 CIRCUIT, IN-LINE, UNIVERSAL MATE-IN-LOCK TM II
DESIGNED: M. SMITH 1-28-92	APPROVED: M. SMITH 1-28-92	DATE	DATE	DATE	DATE
ISSUED: M. SMITH 1-28-92	DATE	DATE	DATE	DATE	DATE
REVISIONS:	DESCRIPTION:	BY:	DATE:	DATE:	DATE:
1	PLUG HOUSING KIT, 4 CIRCUIT, IN-LINE, UNIVERSAL MATE-IN-LOCK TM II	M. SMITH	1-28-92		
2	REVISED PER ECO-11-004917	ET			

488 (2/91)