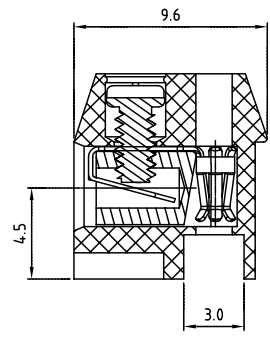
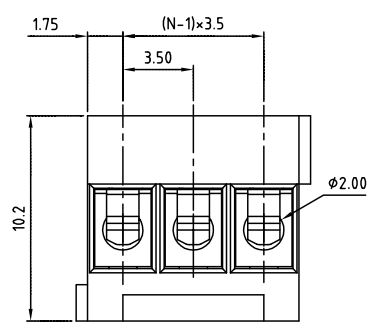
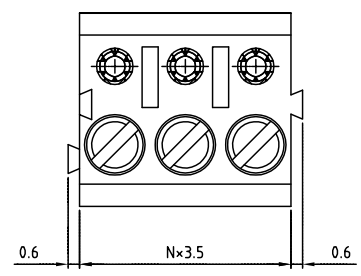


SIGN	DATE	DESCRIPTION	APPROVER

THIS IS CAD DRAWING, DO NOT REVISE MANUALLY!!!



N=Number of contacts

- Material**
- Terminal body
(metal housing): Brass(CuZn)
 - Terminal screw: Steel Zinc plating "--" slot type
 - Wire guard :PHBz (CuSn)
 - Insulator (housing): Thermoplastic (UL94V-0)
- Electrical cULus**
- Voltage rating: 300V
 - Current rating: 10A
 - Wire range:
Solid wire(AWG): 16-28
Stranded wire(AWG): 16-28
 - Torque: 1.7Lb-In
 - Screw: M2
 - Wire strip length: 5-6mm
 - Withstanding Voltage: 1.6KV
 - Operating temperature: -30°C to +105°C
 - Safety approval:

RoHS Compliant

PART NUMBER:

OSTTHXX2150

↓	↓
No. of Poles	COLOR
02 2 Poles	0: Black
03 3 Poles	5: Green (Standard)
... ..	6: Blue
24 24 Poles	8: Grey



THESE DRAWINGS AND SPECIFICATIONS ARE THE PROPERTY OF ON-SHORE TECHNOLOGY, INC. AND SHALL NOT BE REPRODUCED, COPIED OR USED IN ANY MANNER WITHOUT THE PRIOR WRITTEN CONSENT OF ON-SHORE TECHNOLOGY, INC.

TITLE	OSTTH-3.5mm series			
PART NO.	OSTTHXX2150	DWG NO.	OSTTHXX2150.DWG	
APPROVED	CHECKED	DESIGNED	DRAWN	CUST NO.
	Marvin 2006.06.23	Marvin 2006.06.23	Marvin 2006.06.23	
				UNIT: mm
				SCALE: NONE
				Tolerance
				X. ±0.50
				X.X ±0.30
				X.XX ±0.10
				X* ±1*